

KVM User Manual

- Rackmount KVM switches

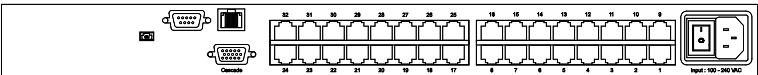
Cat5



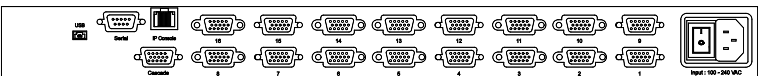
DB-15



- KVM modules for LCD keyboard drawers



Cat5



DB-15

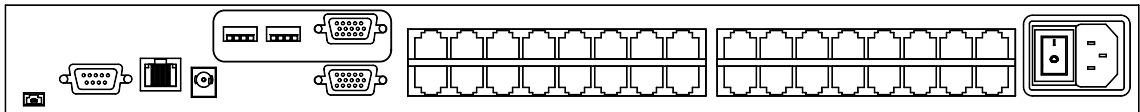


Contents

Chapter 1 Getting Started

1.1	Important Safeguards.....	1
1.2	Regulatory Notice.....	2
1.3	Before Unpacking.....	3
1.4	Unpacking.....	3
1.5	Installation.....	4

Part 1 Cat5 KVM



Chapter 2 How to Connect Cat5 KVM Switches

2.1	U-1601 / U-3201 Cat5 Single Console KVM.....	5-7
2.2	U-1602 / U-3202 Cat5 Two Console KVM.....	8-11
2.3	UIP-1602 / UIP-3202 IP Cat5 KVM.....	12-14
2.4	DG-100 / DG-100S Dongle Connections.....	15

Chapter 3 How to Use Cat5 KVM Switches

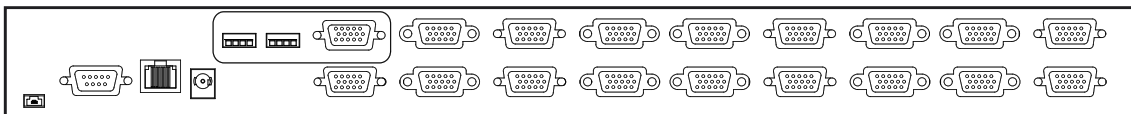
3.1	KVM Membrane.....	16
3.2	Password.....	17
3.3	KVM OSD.....	18
3.4	KVM Hotkey.....	19
3.5	UIP-1602 / U-3202 IP Remote Setup.....	20-21

Chapter 4 Optional Specification

4.1	Optional Accessories.....	22
4.2	DC Power 12V, 24V, 48V Input.....	23

Chapter 5	Specifications	24-26
-----------	-----------------------------	-------

Part 2 DB-15 KVM



Chapter 6 How to Connect DB-15 KVM Switches

6.1	CV-401 / CV-801 / CV-1601 PS/2 DB-15 KVM.....	27-29
6.2	CV-S801 / CV-S1601 USB DB-15 KVM.....	30-32
6.3	CV-802 / CV-1602 Two Console DB-15 KVM.....	33-36
6.4	IP-802 / IP-1602 IP DB-15 KVM.....	37-39

Chapter 7 How to Use DB-15 KVM Switches

7.1	KVM Membrane.....	40
7.2	Password.....	41-43
7.3	KVM OSD.....	44-46
7.4	KVM Hotkey.....	47-48
7.5	IP-802 / IP-1602 IP Remote Setup.....	49-50

Chapter 8 Optional Specification

8.1	Optional Accessories.....	51
8.2	DC power 12V, 24V, 48V Input.....	52

Chapter 9 Specifications.....53-56

Chapter 10 FAQ and Troubleshooting.....57-59

Please read all of these instructions carefully before you use the device. Save this manual for future reference.

What the warranty does not cover

- Any product, on which the serial number has been defaced, modified or removed.
- Damage, deterioration or malfunction resulting from:
 - Accident, misuse, neglect, fire, water, lightning, or other acts of nature, unauthorized product modification, or failure to follow instructions supplied with the product.
 - Repair or attempted repair by anyone not authorized by us.
 - Any damage of the product due to shipment.
 - Removal or installation of the product.
 - Causes external to the product, such as electric power fluctuation or failure.
 - Use of supplies or parts not meeting our specifications.
 - Normal wear and tear.
 - Any other causes which does not relate to a product defect.
- Removal, installation, and set-up service charges.

Legal Information

First English printing, October 2002

Information in this document has been carefully checked for accuracy; however, no guarantee is given to the correctness of the contents. The information in this document is subject to change without notice. We are not liable for any injury or loss that results from the use of this equipment.

Safety Instructions

- Unplug equipment before cleaning. Don't use liquid or spray detergent; use a moist cloth.
- Keep equipment away from excessive humidity and heat. Preferably, keep it in an air-conditioned environment with temperatures not exceeding 40° Celsius (104° Fahrenheit).
- When installing, place the equipment on a sturdy, level surface to prevent it from accidentally falling and causing damage to other equipment or injury to persons nearby.
- When the drawer is in an open position, do not cover, block or in any way obstruct the gap between it and the power supply. Proper air convection is necessary to keep it from overheating.
- Arrange the equipment's power cord in such a way that others won't trip or fall over it.
- If you are using a power cord that didn't ship with the equipment, ensure that it is rated for the voltage and current labeled on the equipment's electrical ratings label. The voltage rating on the cord should be higher than the one listed on the equipment's ratings label.
- Observe all precautions and warnings attached to the equipment.
- If you don't intend on using the equipment for a long time, disconnect it from the power outlet to prevent being damaged by transient over-voltage.
- Keep all liquids away from the equipment to minimize the risk of accidental spillage. Liquid spilled on to the power supply or on other hardware may cause damage, fire or electrical shock.
- Only qualified service personnel should open the chassis. Opening it yourself could damage the equipment and invalidate its warranty.
- If any part of the equipment becomes damaged or stops functioning, have it checked by qualified service personnel.

Regulatory Notices Federal Communications Commission (FCC)

This equipment has been tested and found to comply with the limits for a Class B digital device, pursuant to Part 15 of the FCC rules. These limits are designed to provide reasonable protection against harmful interference in a residential installation.

Any changes or modifications made to this equipment may void the user's authority to operate this equipment. This equipment generates, uses, and can radiate radio frequency energy and, if not installed and used in accordance with the instructions, may cause harmful interference to radio communications.

However, there is no guarantee that interference will not occur in a particular installation. If this equipment does cause harmful interference to radio or television reception, which can be determined by turning the equipment off and on, the user is encouraged to try to correct the interference by one or more of the following measures:

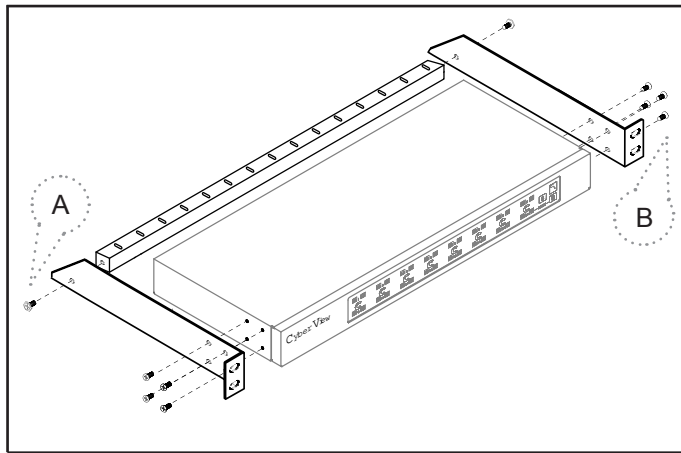
- Re-position or relocate the receiving antenna.
- Increase the separation between the equipment and receiver.
- Connect the equipment into an outlet on a circuit different from that to which the receiver is connected.

1.3 Before Installation

- It is very important to locate the KVM in a suitable environment.
- The surface for placing and fixing the KVM should be stable and level or mounted into a suitable cabinet.
- Make sure the place has good ventilation, is out of direct sunlight, away from sources of excessive dust, dirt, heat, water, moisture and vibration.
- Position LCD Keyboard Drawer with respect to related facilities.

1.4 Unpacking

The KVM comes with the standard parts shown in chapter 2 & 6. Check and make sure they are included and in good condition. If anything is missing, or damage, contact the supplier immediately.



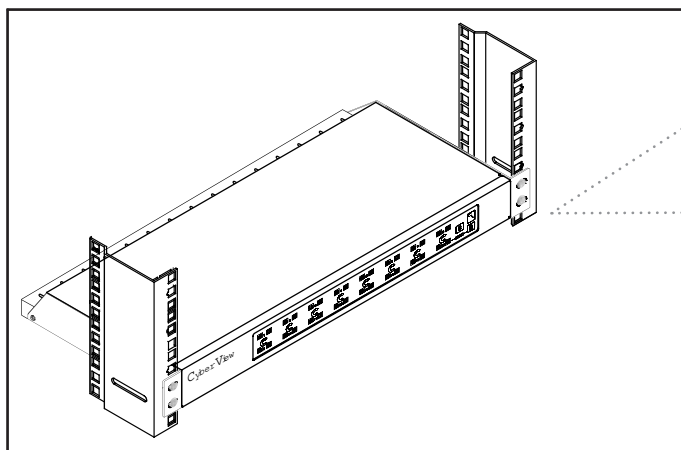
screw A: M3.2 x 4.5 mm



screw B: M4 x 10 mm

- Install each bracket using screws provided shown in **Figure 1**.

Figure 1. Installing the bracket to the KVM.

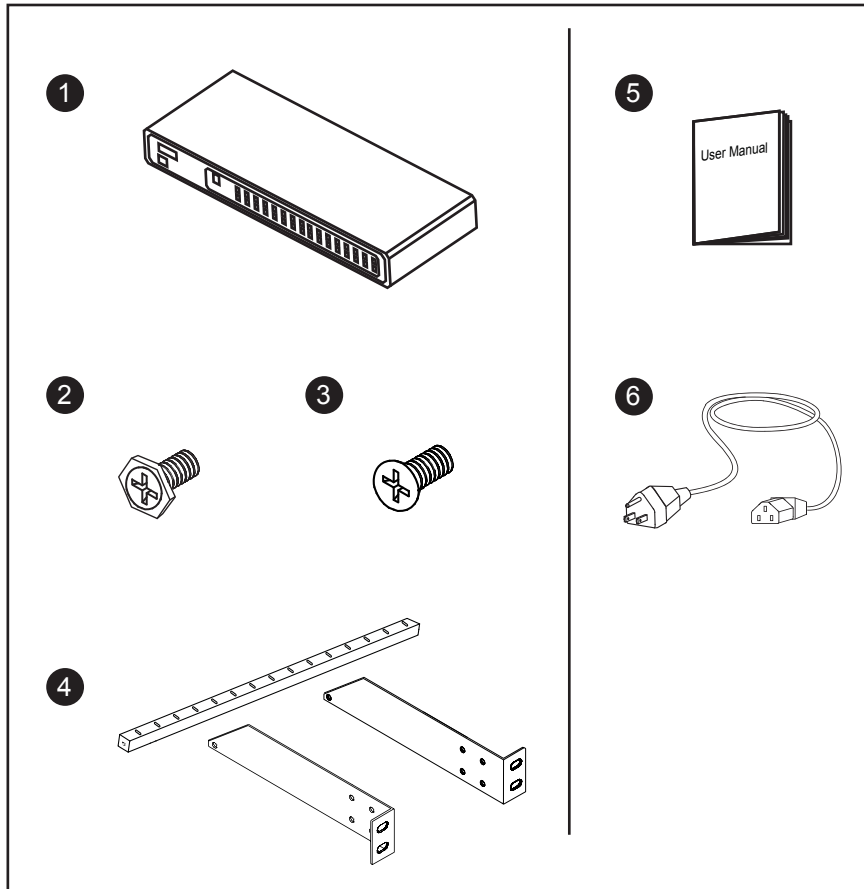


- Fix the KVM into the rack

* Hardware for fixing the mounting bracket to the rack is not provided

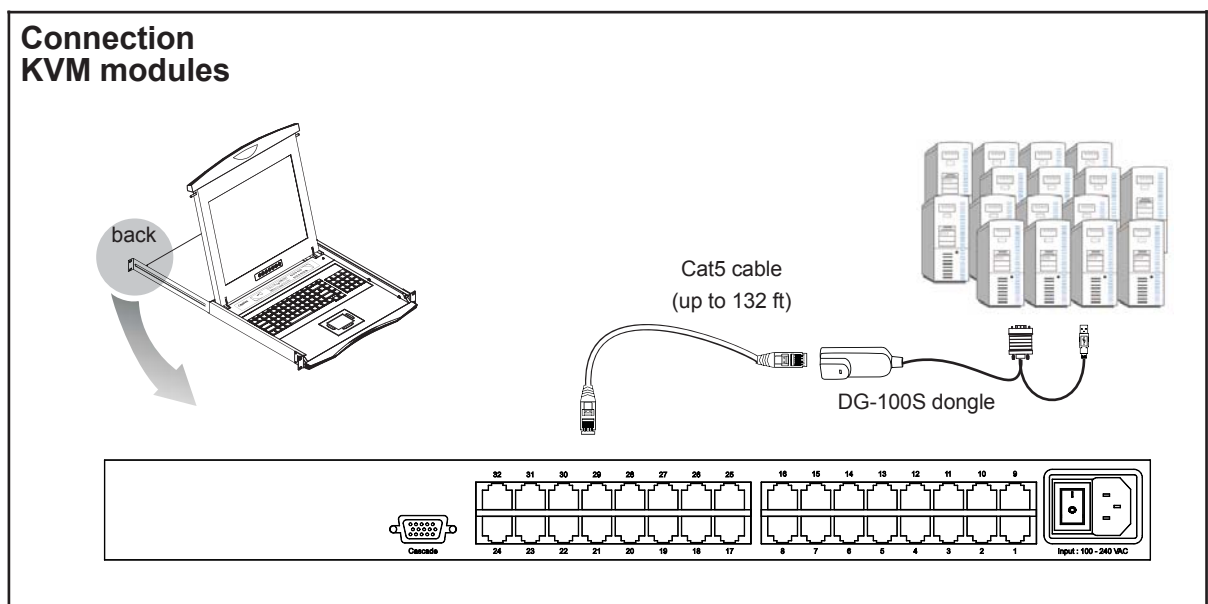
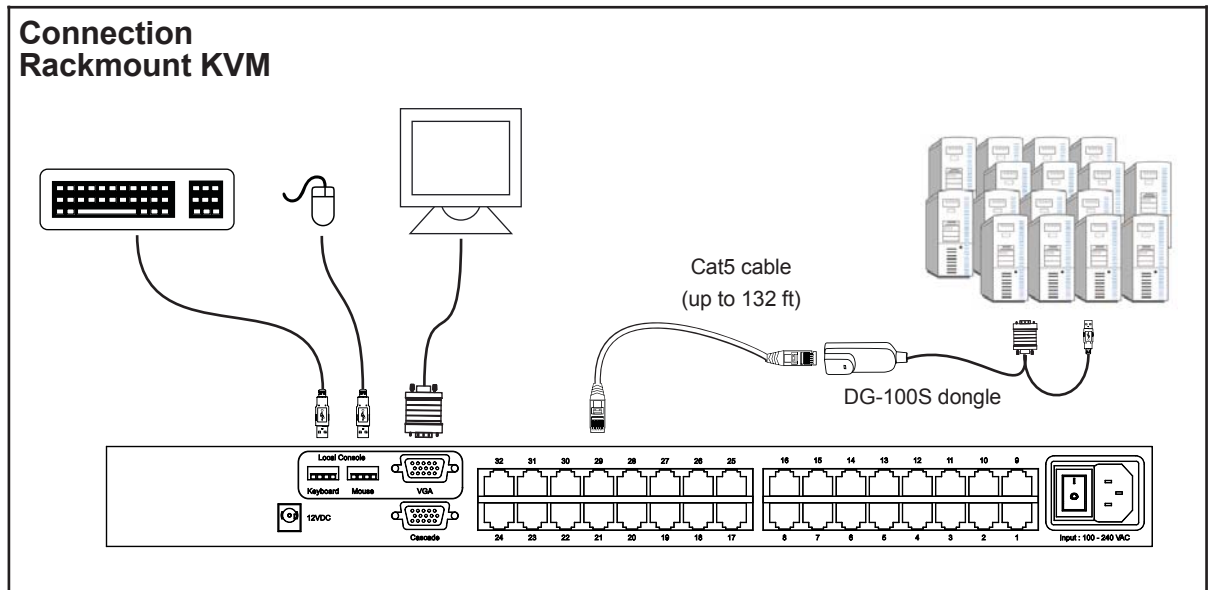
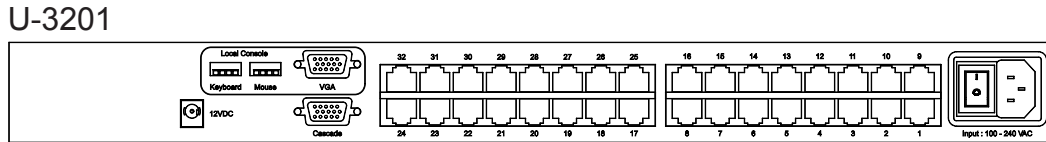
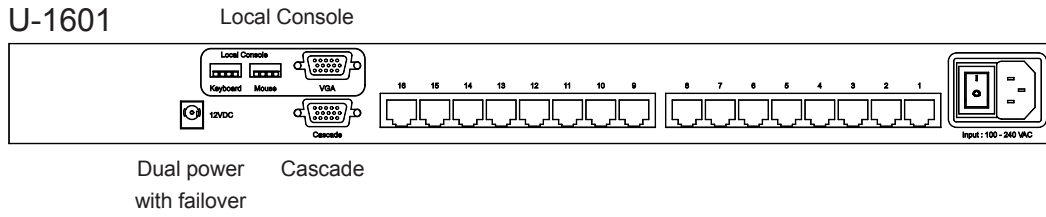
Figure 2. Fixing the KVM into the rack.

Package Content (only for rackmount KVM)



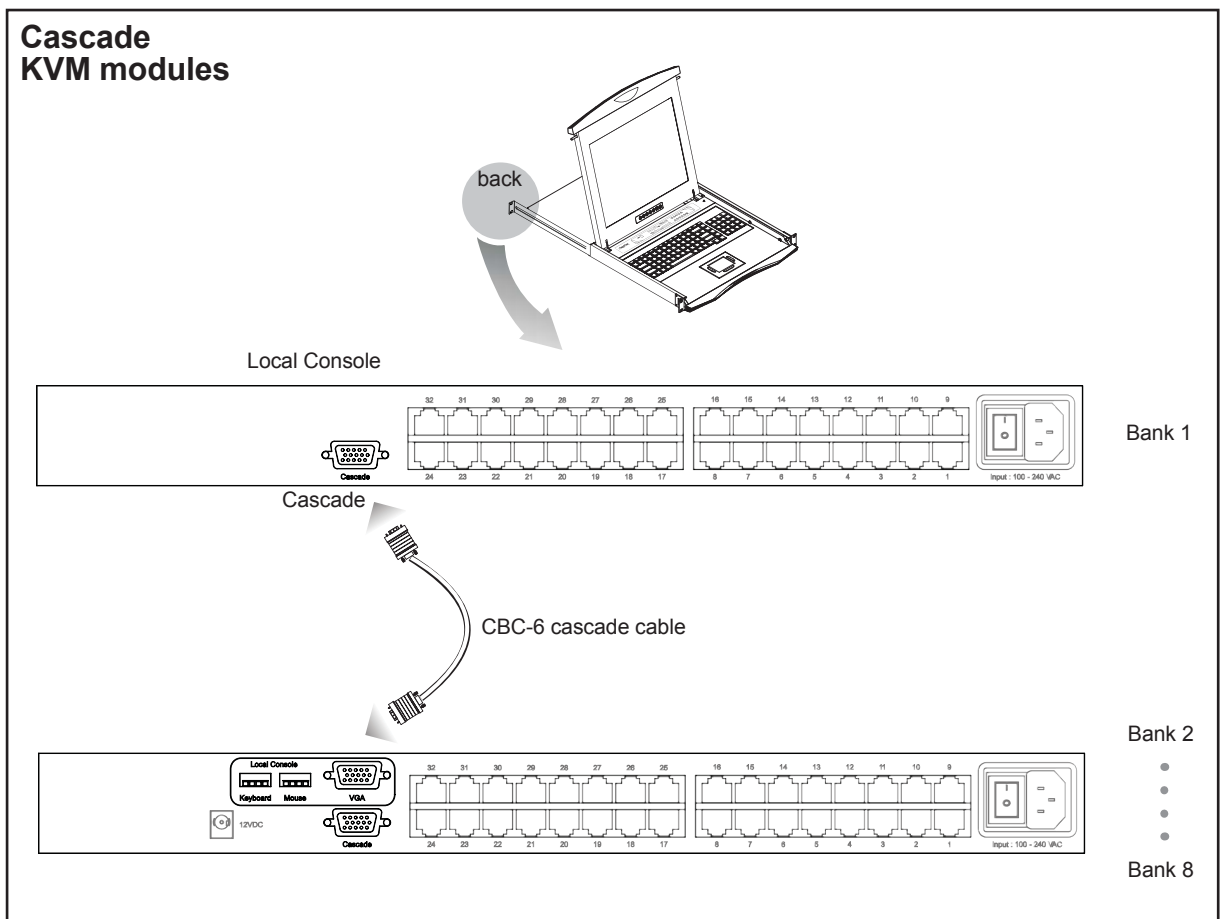
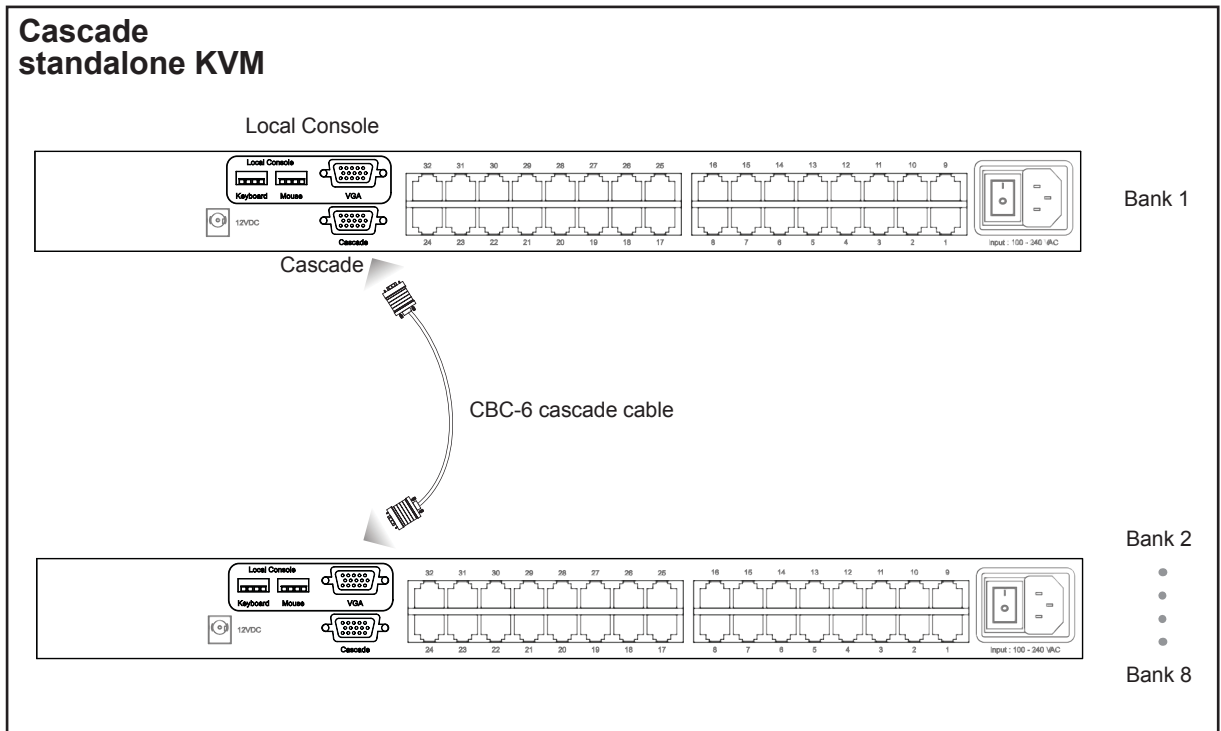
- ① KVM switch x 1 pc
- ② Screw M3.2 x 4.5mm x 4 pcs
- ③ Screw M4 x 10mm x 8 pcs
- ④ Bracket x 1 set
- ⑤ User manual x 1 pc
- ⑥ Power cord x 1 pc

Connection

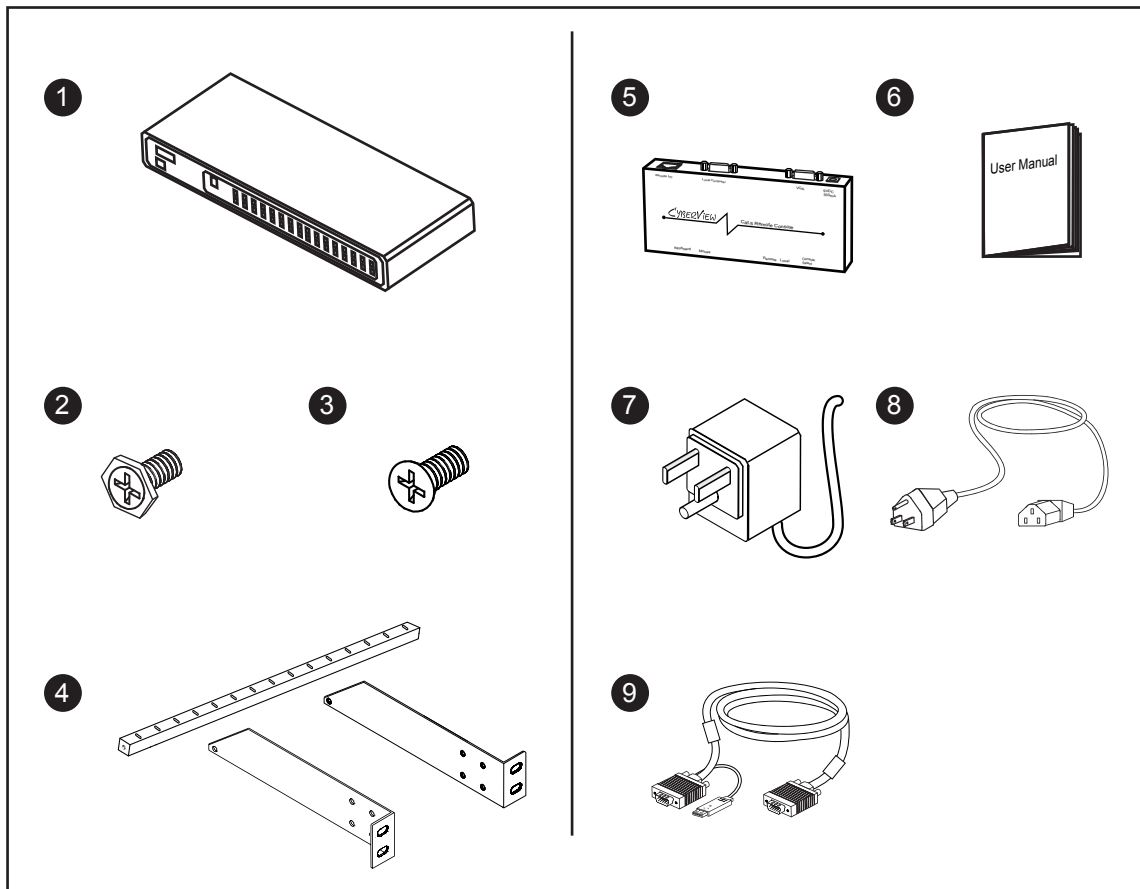


Cascade

- With the U-1601 cascade up to 128 servers. With the U-3201 cascade up to 256 servers.
- Cascading multiple KVM by CBC-6 cable

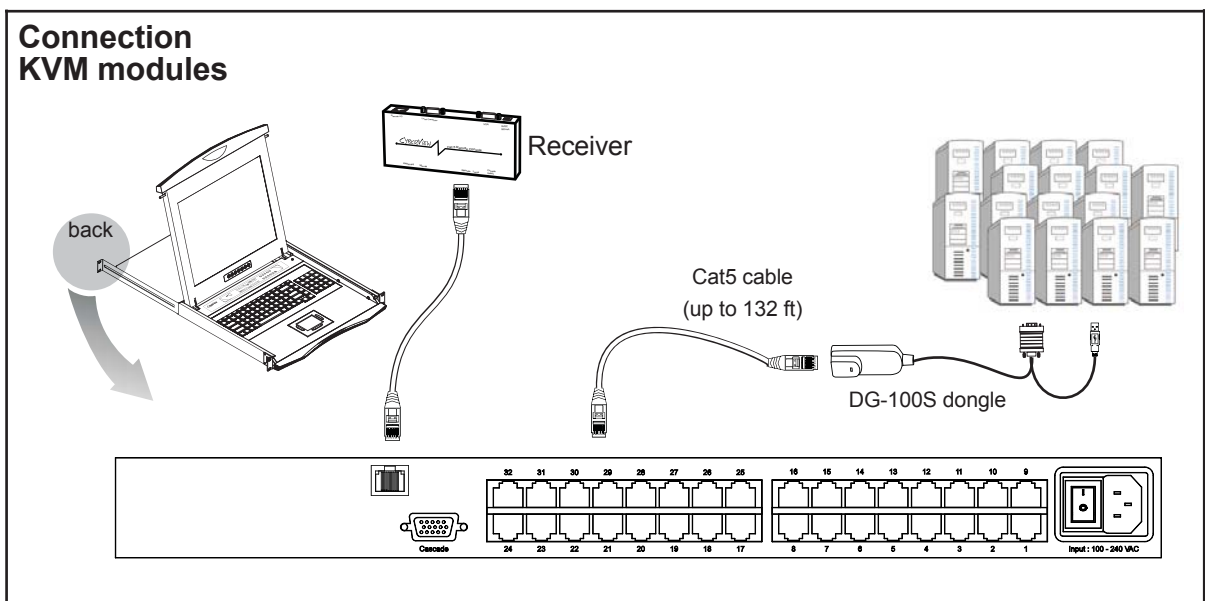
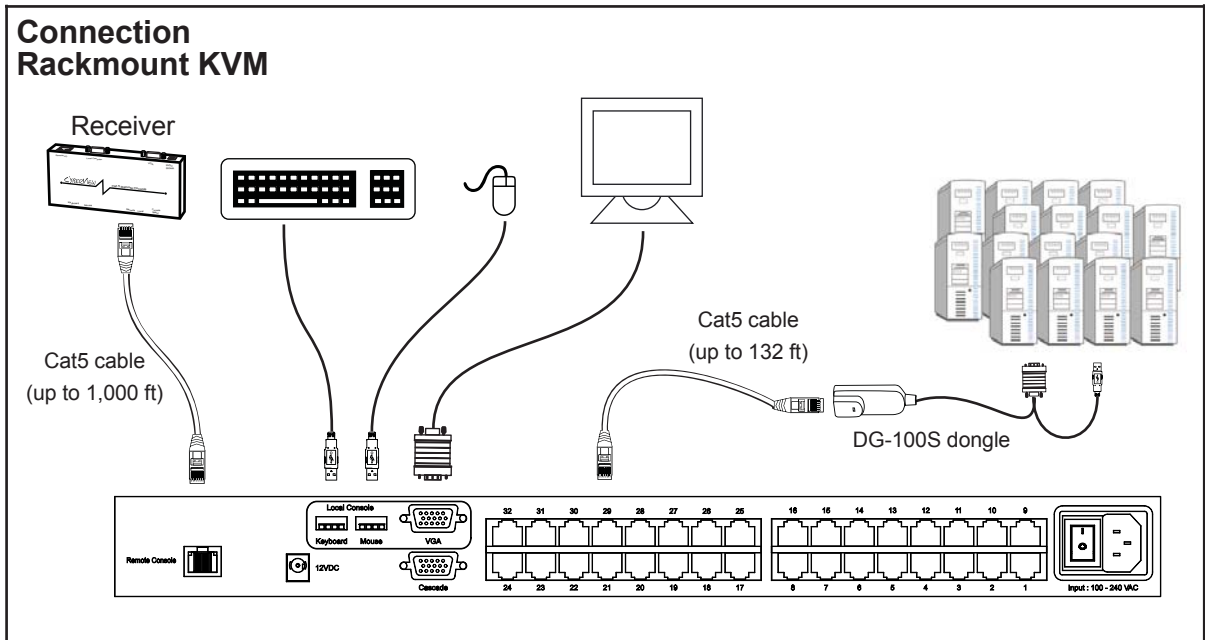
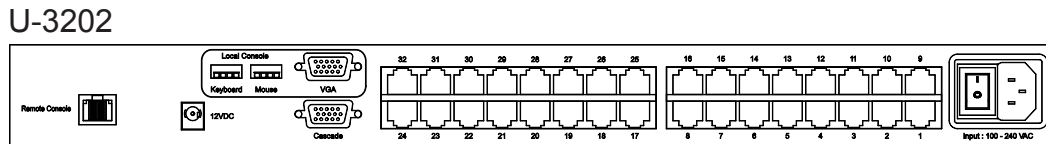
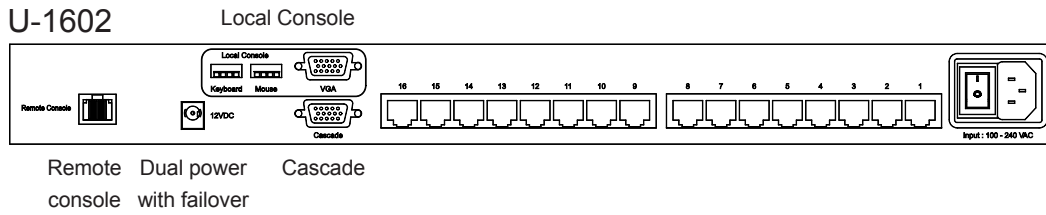


Package Content (only for rackmount KVM)

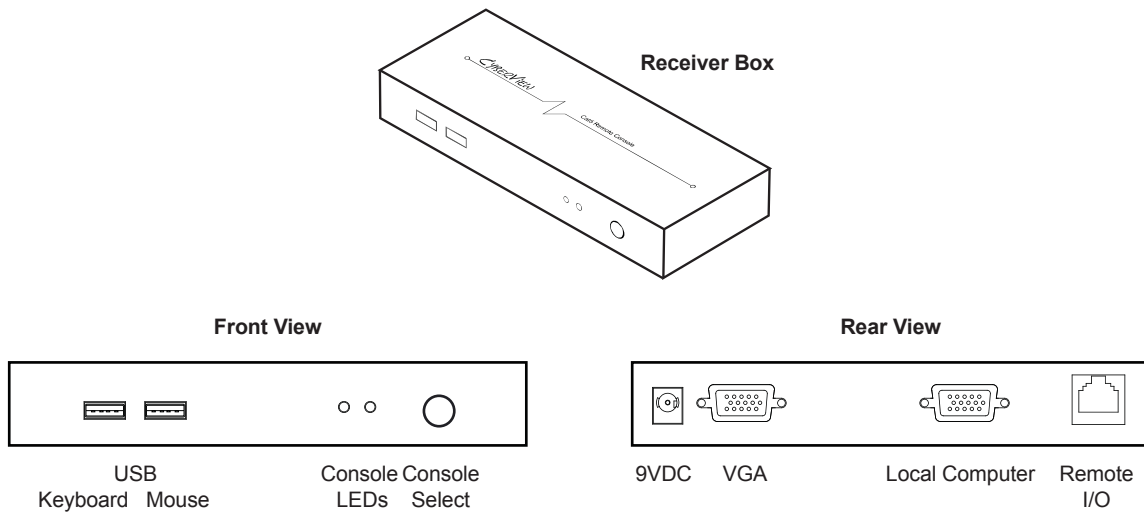


- ① KVM switch x 1 pc
- ② Screw M3.2 x 4.5mm x 4 pcs
- ③ Screw M4 x 10mm x 8 pcs
- ④ Bracket x 1 set
- ⑤ Receiver x 1 pc
- ⑥ User manual x 1 pc
- ⑦ 9V Power adapter for receiver x 1 pc
- ⑧ Power cord x 1 pc
- ⑨ CB-6 2-in-1 USB KVM cable x 1 pc

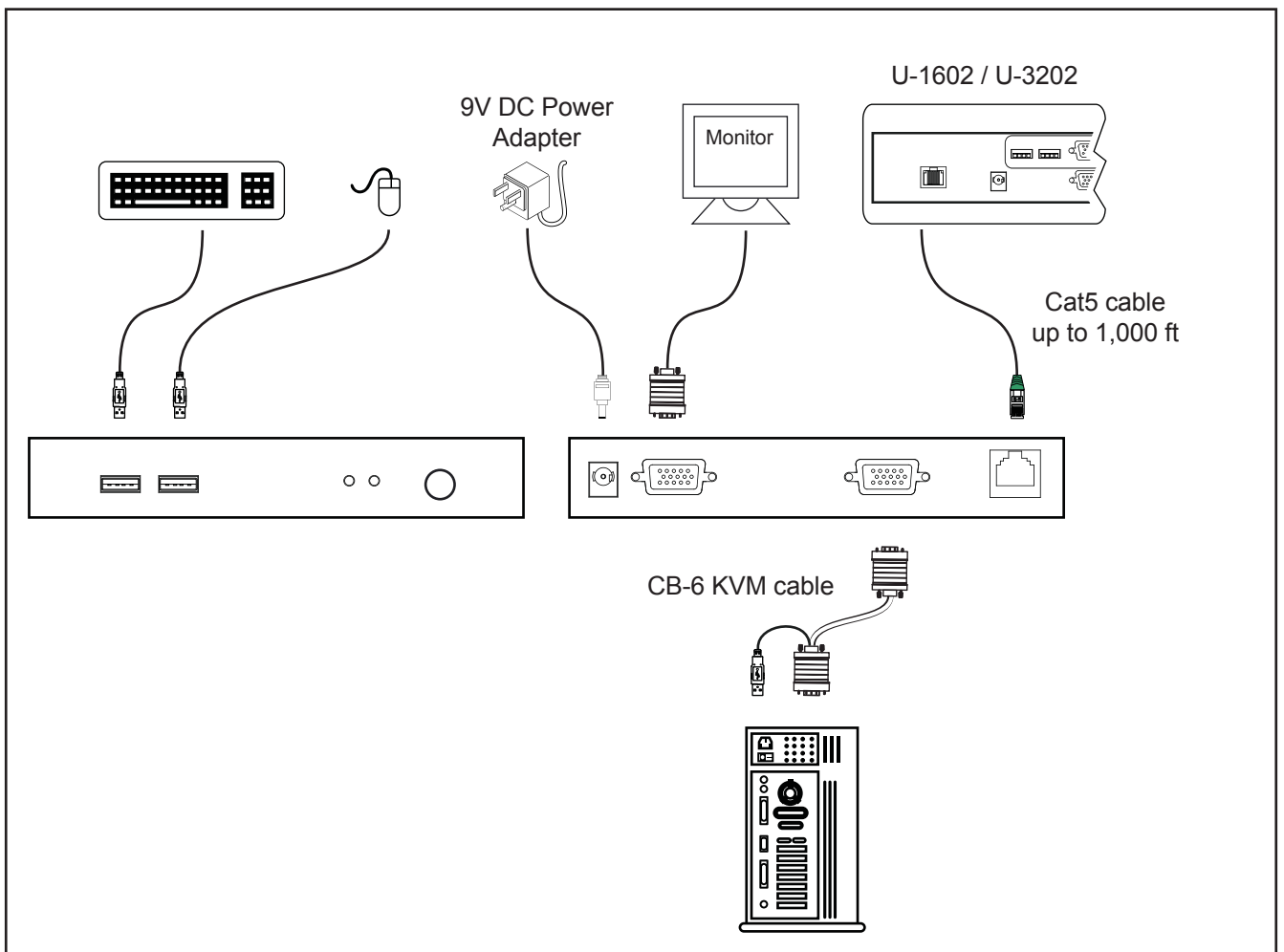
Connection



Receiver

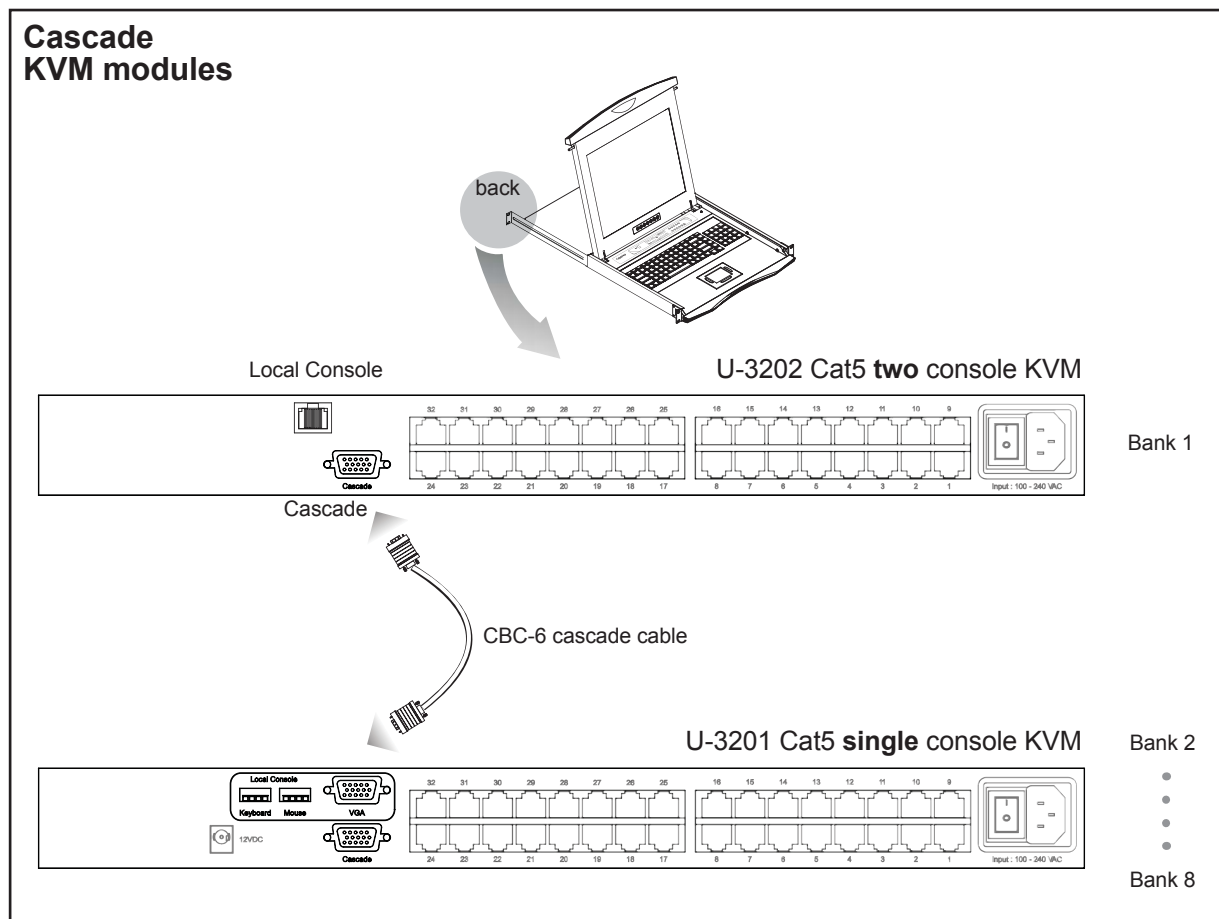
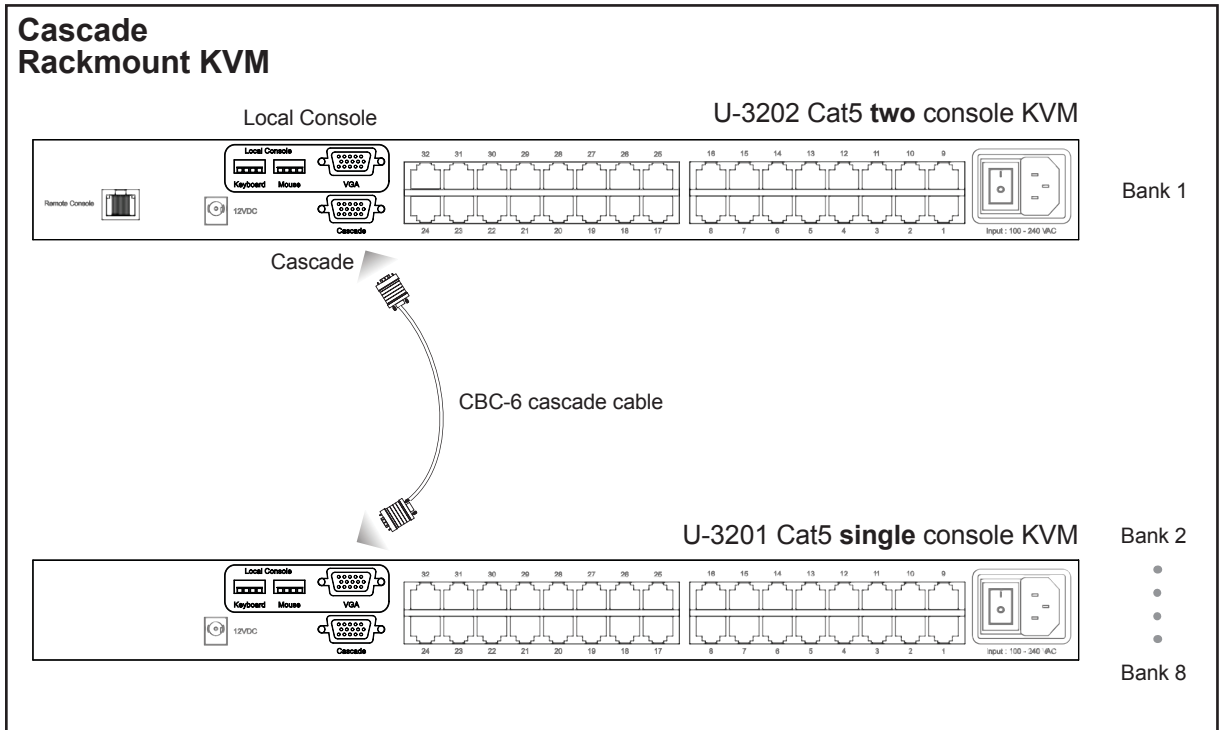


Receiver Connection

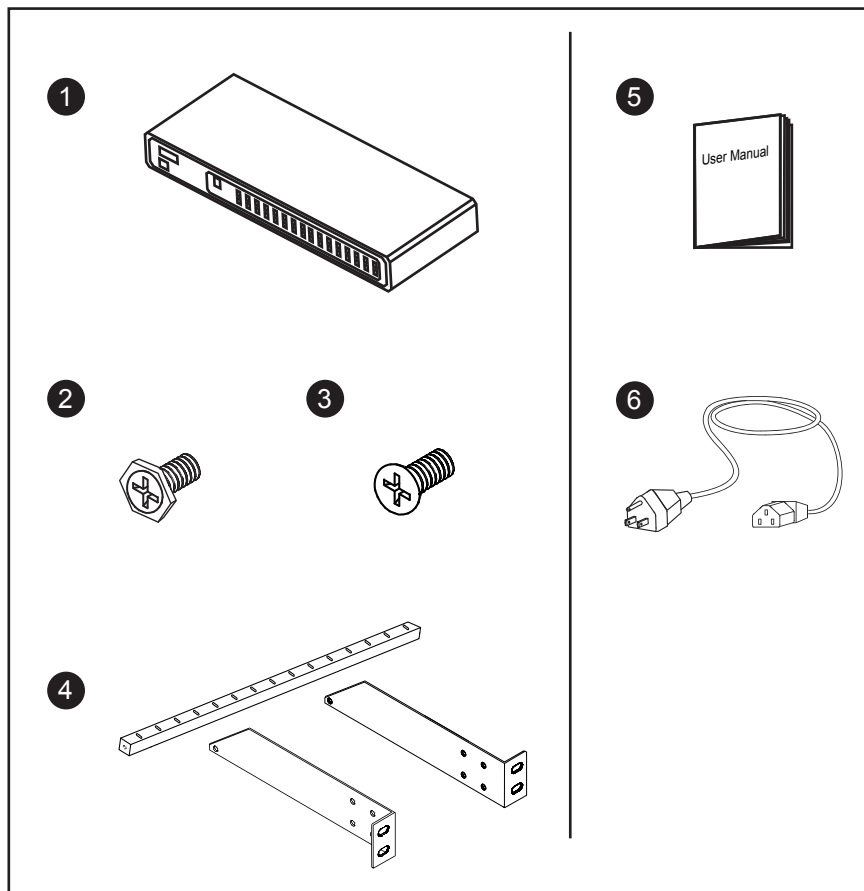


Cascade

- Cascaded KVM (Bank 2 to 8) must be single console Cat5 KVM - U-1601 / U-3201
- Cascading multiple KVM by CBC-6 cable
- With the U-1602 cascade up to 128 servers. With the U-3202 cascade up to 256 servers.

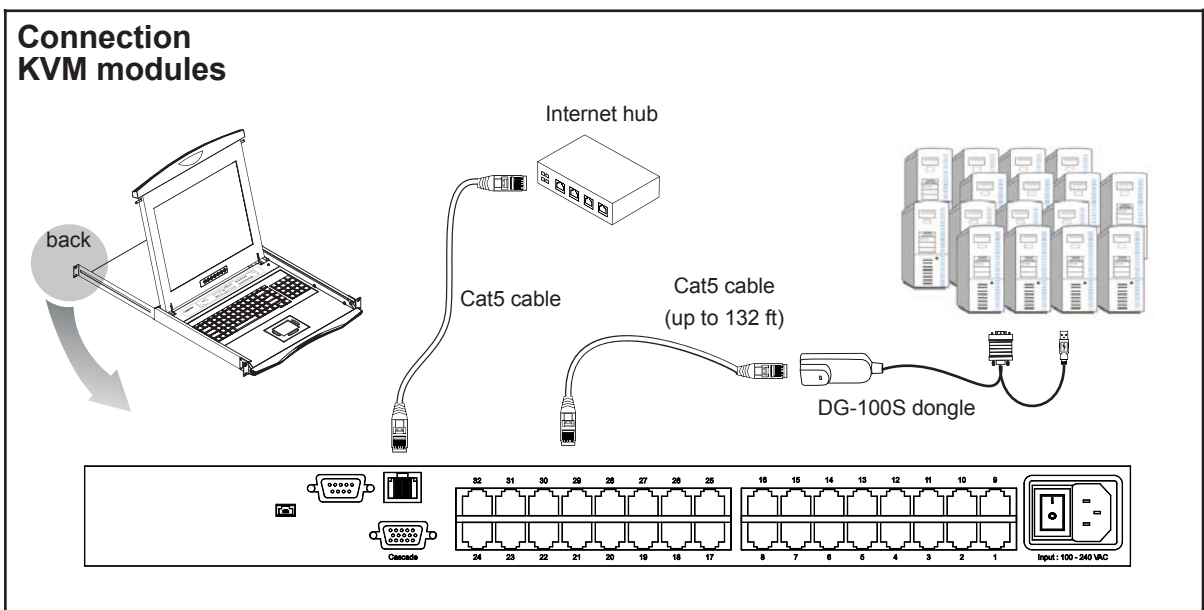
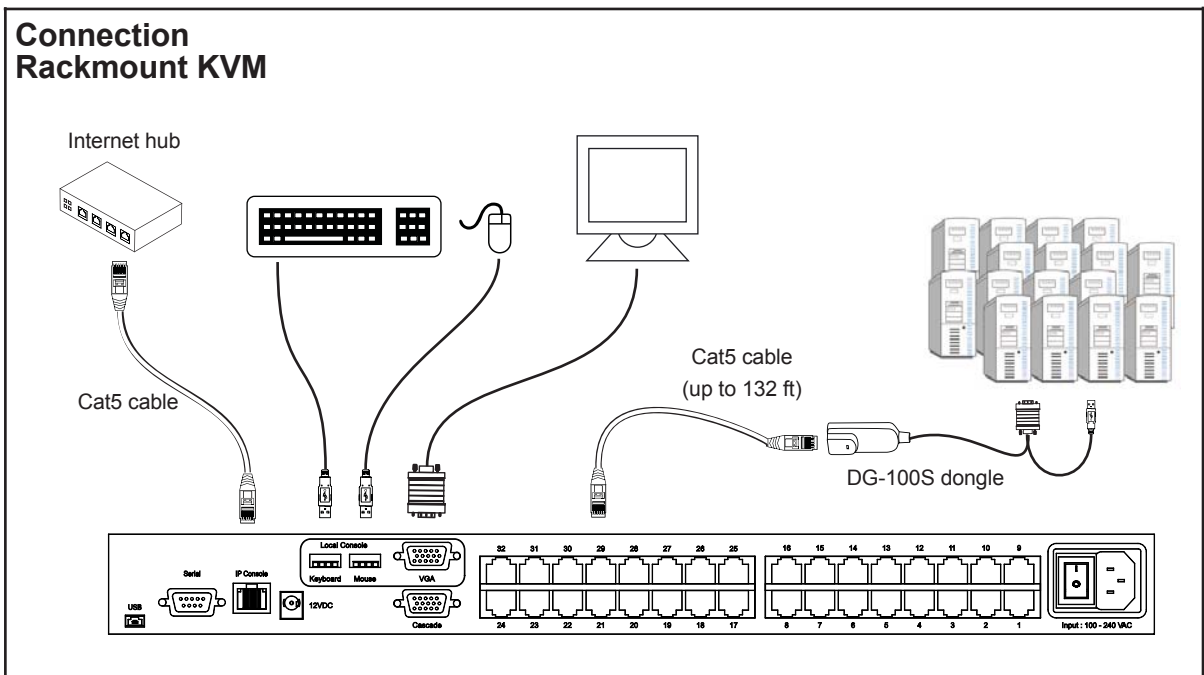
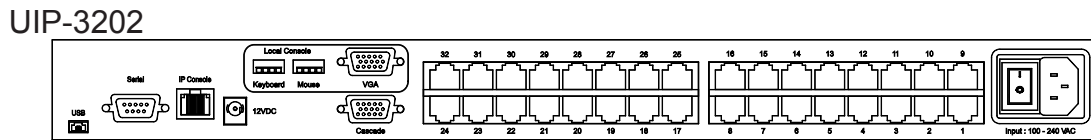
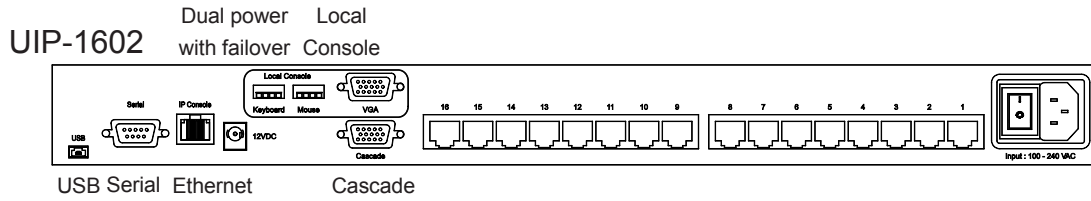


Package Content (only for rackmount KVM)



- ① KVM switch x 1 pc
- ② Screw M3.2 x 4.5mm x 4 pcs
- ③ Screw M4 x 10mm x 8 pcs
- ④ Bracket x 1 set
- ⑤ User manual x 2 sets (KVM x 1 set ; IP KVM + CD disc x 1 set)
- ⑥ Power cord x 1 pc

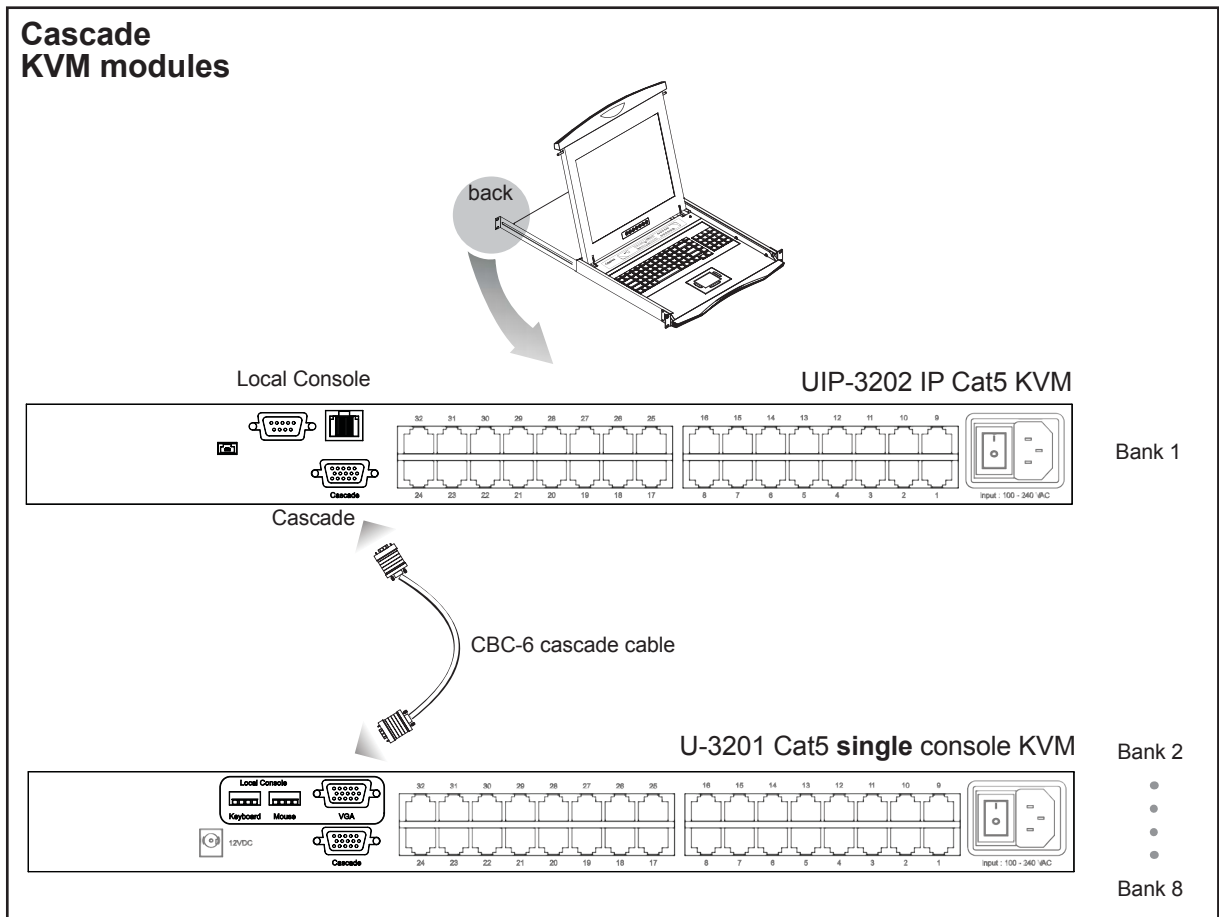
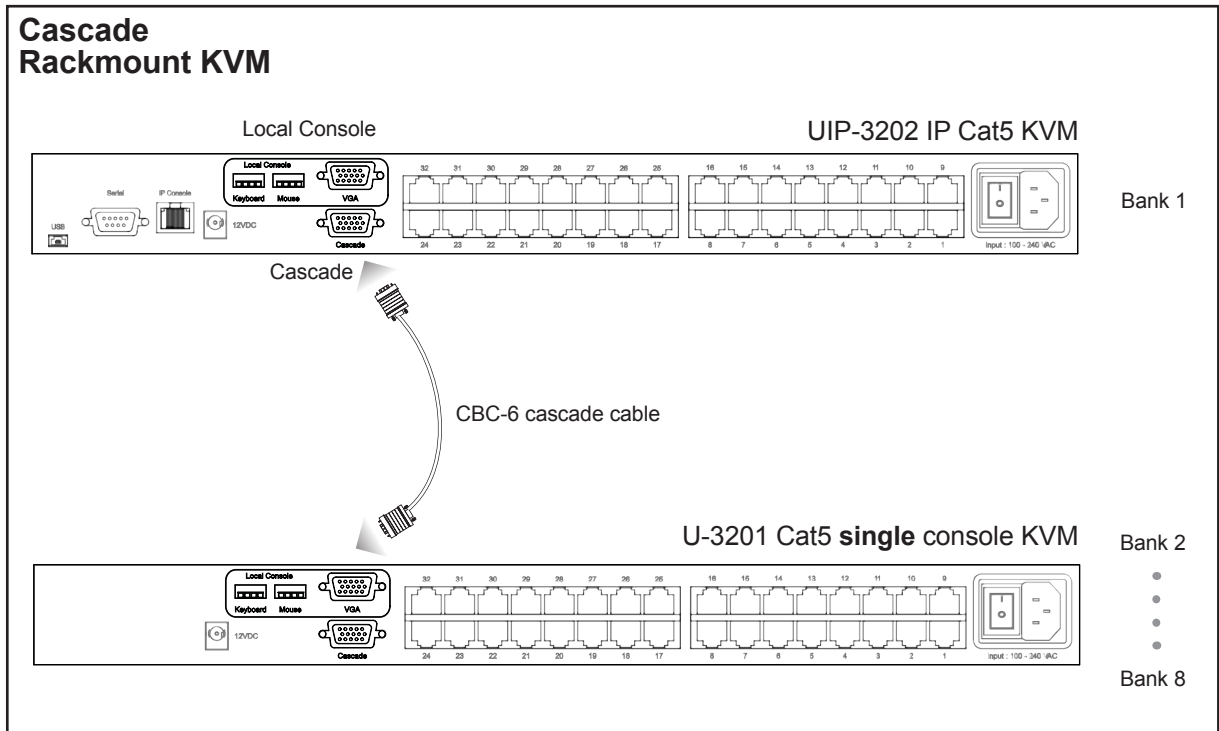
Connection



■ For USB & serial connection, please refer to the attached IP KVM user manual

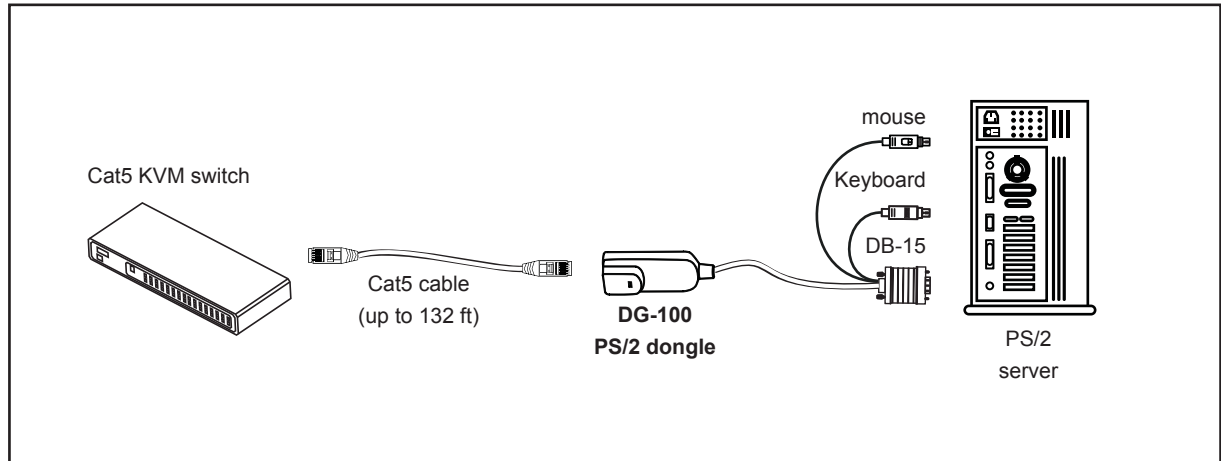
Cascade

- Cascaded KVM (Bank 2 to 8) must be single console Cat5 KVM - U-1601 / U-3201
- With the UIP-1602 cascade up to 128 servers. With the UIP-3202 cascade up to 256 servers.
- Cascading multiple KVM by CBC-6 cable



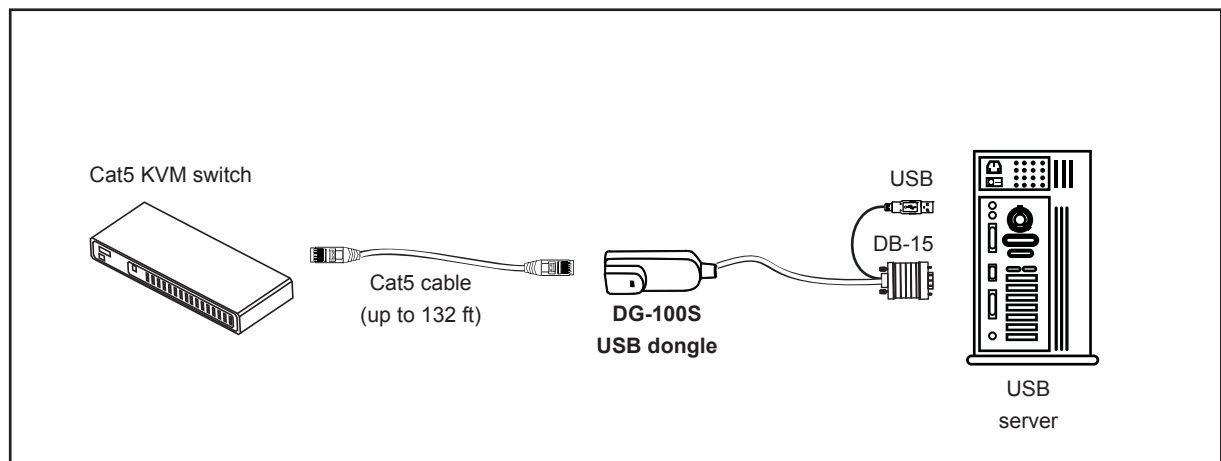
DG-100 PS/2 dongle

- To connect DB-15 connector to the computer's video card
- To connect keyboard connector to the computer's keyboard port
- To connect mouse connector to the computer's mouse port



DG-100S USB dongle

- To connect DB-15 connector to the computer's video card
- To connect USB connector to the computer's USB port

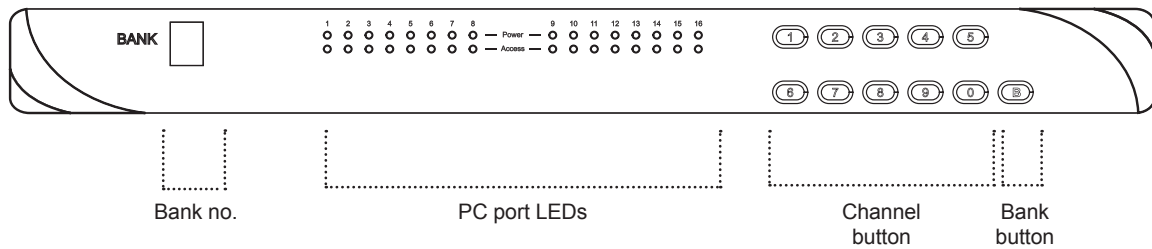


Power ON

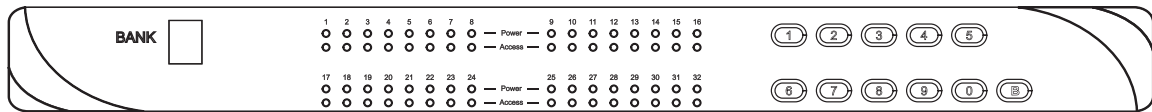
- Turn off all servers and KVM switches
- Make sure all cables / connectors are properly connected
- Recommend Power ON sequence is monitor, KVM switch finally computer

Front Panel - Port LED Indications

16 ports



32 ports



Bank no.	7-Segment BANK LED indication
PC port LEDs	Power : Orange LED on indicating a PC is connecting to the port Access : Red LED on indicating a selected channel
Channel button	Press to select channel from 01 to 32
Bank button	Select the bank from 1 to 8

The password is disabled by default (i.e. There is no password required when you power on the KVM switch for the first time)

■ Enable password

1. Press the KVM hotkey **Scroll Lock + Scroll Lock + U**
2. Logout the KVM by pressing the hotkey **Scroll Lock + Scroll Lock + P**
3. In SUPERVISOR level, enter “00000000” eight zeros in user name & password field
(Do not use “0” on number pad)
4. In USER level, press **Space bar + Enter** in user name & password field

Remark: Automatic logout after 10 minutes of inactivity

■ Set your own user name & password

1. Login the KVM in SUPERVISOR level by pressing “00000000” eight zeros in user name & password field
2. Call KVM OSD menu by pressing the KVM hotkey **Scroll Lock + Scroll Lock + Space Bar**
3. Press **F1** to the MAIN MENU
4. Select “USER SECURITY”
5. Set password in SUPERVISOR & USER level
 - a. In the left-top row “S” (SUPERVISOR), press **Enter** to set your own user name & password
 - b. In the row 1 to 8 (USER), press **Enter** to set your own user name & password
6. Press **Enter** to save the setting or press **Esc** to cancel the editing without any change

Remark: a. Blank has underscore, while SPACE doesn't have

- b. Press any alphanumeric key to move to next input item. SPACE is treated as a valid character

■ Change your password

1. Login the KVM in SUPERVISOR level by pressing your own user name & password
2. Call KVM OSD menu by pressing the KVM hotkey **Scroll Lock + Scroll Lock + Space Bar**
3. Press **F1** to the MAIN MENU
4. Select “USER SECURITY”
5. Change password in SUPERVISOR & USER level
 - a. In the left-top row “S” (SUPERVISOR), press **Enter** to change your user name & password
 - b. In the row 1 to 8 (USER), press **Enter** to change your user name & password
6. Press **Enter** to save the setting or press **Esc** to cancel the editing without any change

Remark: a. Blank has underscore, while SPACE doesn't have

- b. Press any alphanumeric key to move to next input item. SPACE is treated as a valid character

■ Disable your password

1. Press the KVM hotkey **Scroll Lock + Scroll Lock + U**
2. Logout the KVM by pressing the KVM hotkey **Scroll Lock + Scroll Lock + P**
3. You don't need user name & password to access the KVM OSD menu


■ Forget your password

Please contact your supplier for further support



Remark:

- You must press the KVM hotkey within 2 seconds
- A beep sound will be heard for successful entering KVM hotkey


OSD Menu

PORT NAME	
BANK : 1	
01☀ SYSTEM 01 	F1 : MENU
02☀ SYSTEM 02	F2 : LOGOUT
03☀ SYSTEM 03	F3 : PREV
04☀ SYSTEM 04	ESC : QUIT
05☀ SYSTEM 05	ENTER : COMPLETE
06☀ SYSTEM 06	↑/↓ : SELECT
07☀ SYSTEM 07	PgUp/PgDn :
08☀ SYSTEM 08	BANK SELECT
USER :	
SUPERVISOR	
SCAN TIME :	
10 SEC	FW1V3

OSD operation

	next to the system name	The PC is powered on
	next to the system name	The PC is selected
F1		Access F1 MAIN MENU
F2		Logout the OSD menu
F3		Previous menu
Esc		Cancel / Quit
Enter		Complete / Switch to selected port
↑/↓		Switch to previous or next port
PgUp/PgDn		Switch to previous bank or next bank
1 / 2 / 3 / 4		Display port 01 ~ 08 / 09 ~ 16 / 17 ~ 24 / 25 ~ 32 Remark: Display port 17 ~ 32 for 32 port model only

F1 Main Menu

MAIN MENU  X	
SELECT OPTION :	
01 LANGUAGE	
02 PORT NAME EDIT	
03 PORT SEARCH	
04 USER SECURITY	
05 ACCESS LIST	
06 HOTKEY	
07 TIME SETTINGS	
08 OSD MOUSE	

01 LANGUAGE	OSD language change
02 PORT NAME EDIT	Define port name
03 PORT SEARCH	Quick searching by port name
04 USER SECURITY	Change password
05 ACCESS LIST	Define user access authority
06 HOTKEY	Change hotkey
07 TIME SETTINGS	Modify scan display time interval
08 OSD MOUSE	Modify OSD mouse speed

Local Console Hotkey

Hotkey	Function
Scroll Lock + Scroll Lock + Space Bar	Calling OSD menu
Right-button mouse + Esc	Calling OSD menu
Scroll Lock + Scroll Lock + ↑	Switch to previous port
Scroll Lock + Scroll Lock + ↓	Switch to next port
Scroll Lock + Scroll Lock + PgUp / PgDn	Switch to previous bank or next bank
Scroll Lock + Scroll Lock + Bank no. + Port no.	Switch to specific port
Scroll Lock + Scroll Lock + B	Turn the buzzer ON and OFF * Default the buzzer is ON
Scroll Lock + Scroll Lock + P	Logout the KVM if password security is ON. Show up the status windows
Advance hotkeys (for Supervisor login only)	
Scroll Lock + Scroll Lock + S	Activate auto-scan mode for connected servers *Press any key to exit the auto-scan mode
Scroll Lock + Scroll Lock + R	Reset all the KVM settings to factory default *Except User Security settings
Scroll Lock + Scroll Lock + U	Disable and enable password security *Default security is OFF
Scroll Lock + Scroll Lock + L	To enable / disable the screen saving function and 10 mintues auto-logout *Default the screen saving is OFF

Remarks:

- Example of “**Scroll Lock + Scroll Lock + Bank no. + Port no.**”
 - Bank No. : 1 to 8
 - Port No. : 01 to 16
 - e.g. Bank 1 Port 4 : **Scroll Lock + Scroll Lock + 1 + 0 + 4**
 - e.g. Bank 2 Port 16 : **Scroll Lock + Scroll Lock + 2 + 1 + 6**
- You must press the hotkey within 2 seconds
- A beep sound will be heard for successful entering
- The numeric keypad is not supported, while in OSD screen, the arrow keys, PgUp, PgDn, and Enter keys are supports

Remote Console Hotkey

Hotkey	Function
Caps Lock + Caps Lock + F1	Show up the Help OSD windows
Caps Lock + Caps Lock + F2	Select Hotkey *Default is Caps Lock
Caps Lock + Caps Lock + C	Toggle switch between remote & local port
Caps Lock + Caps Lock + Q	Turn the buzzer ON & OFF *Default the buzzer is ON
Caps Lock + Caps Lock + S	Activate auto-scan mode for remote & local port *The scan time interval is 5 seconds
Caps Lock + Caps Lock + A	Auto-adjust the video signal

Quick Installation Guide of IP KVM for remote access

Please perform the follow steups

1. Power off all KVM hardware and connected devices.
2. Connect the power supply to IP KVM
3. Connect the monitor, keyboard & mouse to console port of IP KVM (not applicable to integrated LCD drawer version)
4. Connect the KVM cable to IP KVM and target servers
5. Use an Ethernet cable to connect your local area network (LAN) to the IP console port on the KVM

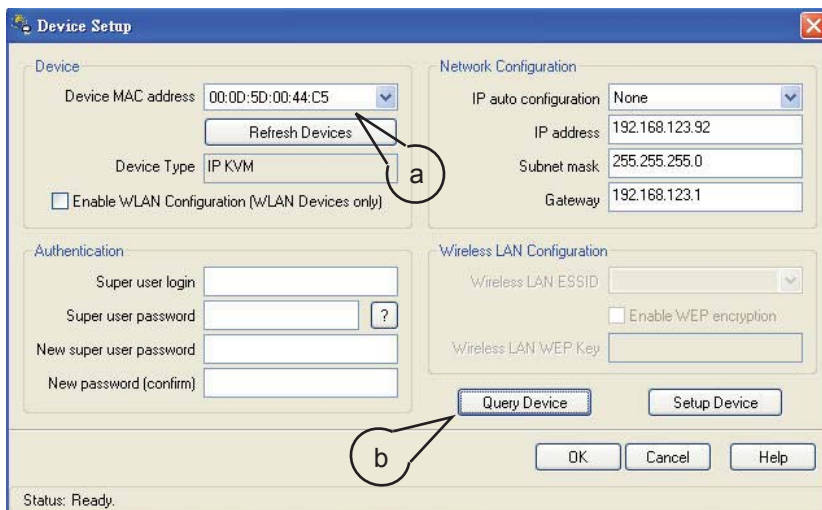
Initial IP configuration

The factory default, DHCP mode is disable (IP auto configuration = None), and the preset default address as below :

IP address : 192.168.1.22 (default)
Subnet-mask : 255.255.255.0
Default Gateway: None

Install the "PSetup.exe" program from the provided CD-disc to a computer which networked with IP KVM switch, then press Refresh Devices the look for the IP-KVM.

- a. Select the MAC address from label on the bottom of the IP-KVM switch
- b. Click Query Device



1. Configure the IP KVM with fixed address

- a. Setup "IP auto configuration" as "None"; setup IP address and Subnet mask
- b. Enter Super user login and password for Authentication (default : super/pass)
- c. Setup Device. If super login was authenticated, it'll show "Successfully configured device". Otherwise it'll show "Permission Denied".

2. Configure the IP KVM with DHCP

- a. Setup "IP auto configuration" as "DHCP"
- b. Enter Super user login and password for Authentication (default : super/pass)
- c. Setup Device. If super login was authenticated, it'll show "Successfully configured device". Otherwise it'll show "Permission Denied".

3. Install JVM on Client system

The IP-KVM switch was remote accessed by a standard JAVA enabled web browser. The client system must install Sun JVM 1.4.2 or above for remote access the IP KVM.

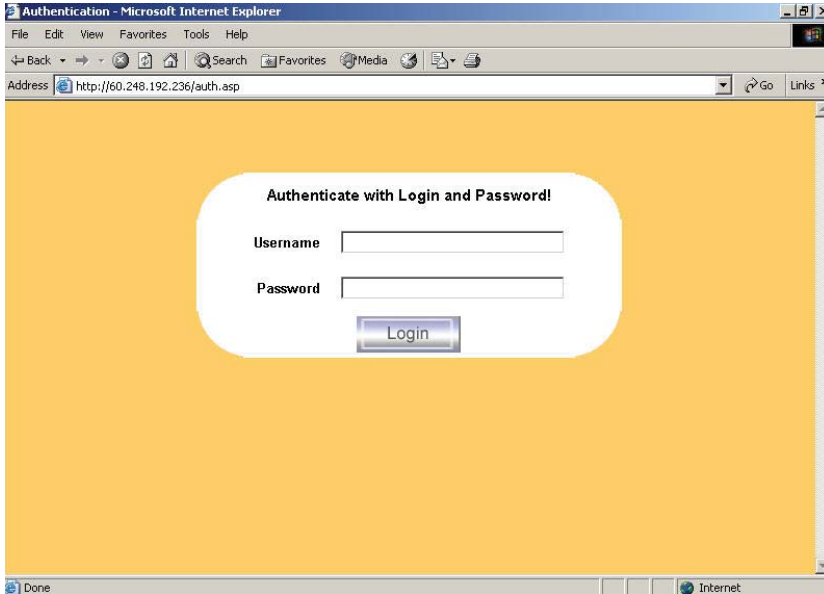
Remark:

- At a minimum, you must have Internet Explorer 6.0 or Netscape 7.0 or Molliza 1.6 (and above) installed on your client computer.

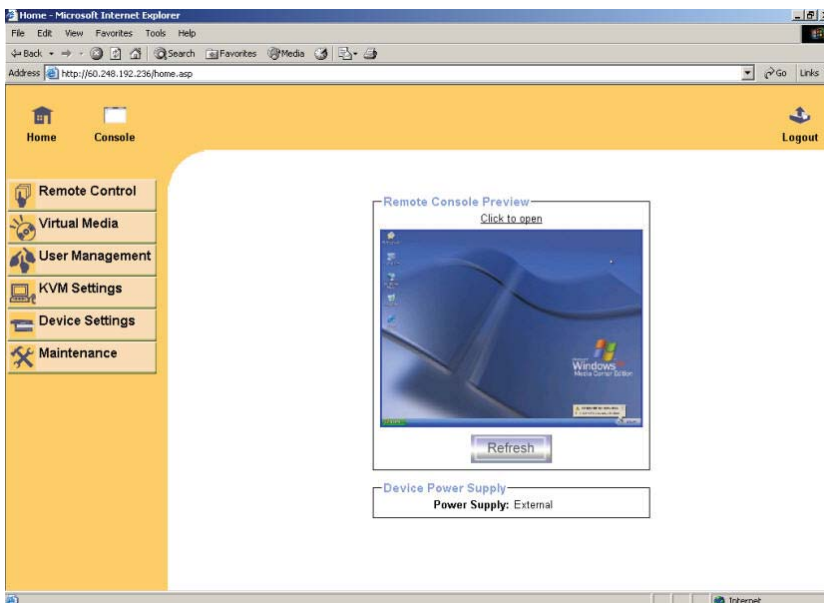
4. Remote access the IP-KVM switch via Web

Using the HTTP protocol or a secure encrypted connection via HTTPS and entering the configured IP address of IP KVM switch into the web browser to remote access the IP KVM switch.

With successful connection to IP KVM, the login page will show as below, then key in the default user name & password



5. After successful login to IP KVM, you will enter the main page of IP KVM as below :

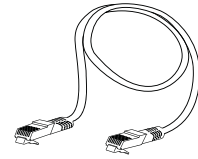


Remark:

- We strongly recommend the user changes the default username and password to user specific values
- Please refer to the “IP KVM User Manual” for more detailed information about IP KVM switch.

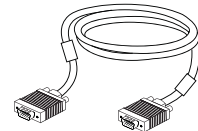
1. Cat5 cable

- 1.1 CU-3 3 feet
- 1.2 CU-6 6 feet
- 1.3 CU-10 10 feet
- 1.4 CU-15 15 feet
- 1.5 CU-33 33 feet
- 1.6 CU-66 66 feet



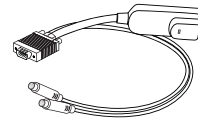
2. Cat5 / USB KVM cascade cable

- 2.1 CBC-6 6 feet



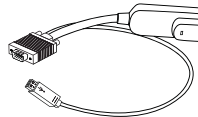
3. PS/2 Dongle for Cat5 KVM

- 3.1 DG-100 PS/2



4. USB Dongle for Cat5 KVM

- 4.1 DG-100S USB

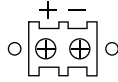


5. Power cord

- 5.1 IEC power cord
- 5.2 NEMA 5-15 power cord (US)
- 5.3 BS 1363 power cord (UK)
- 5.4 CEE 7/4 power cord (German)
- 5.5 AS 3112 power cord (Australia)



4.2 DC Power 12V, 24V, 48V Input





Chapter 4



Model	12V	24V	48V
Input rating			
Input voltage:	12-Volt	24-Volt	48-Volt
Input range:	9 ~ 18V	18 ~ 36V	36 ~ 75V
Input current			
- No load	50 mA	50mA	50 mA
- Full load	4950 mA	2450 mA	1220 mA
Output rating			
Output voltage:	12-Volt	12-Volt	12-Volt
Output current:	4.16A	4.16A	4.16A
Efficiency	84%	85%	85%

Remarks:

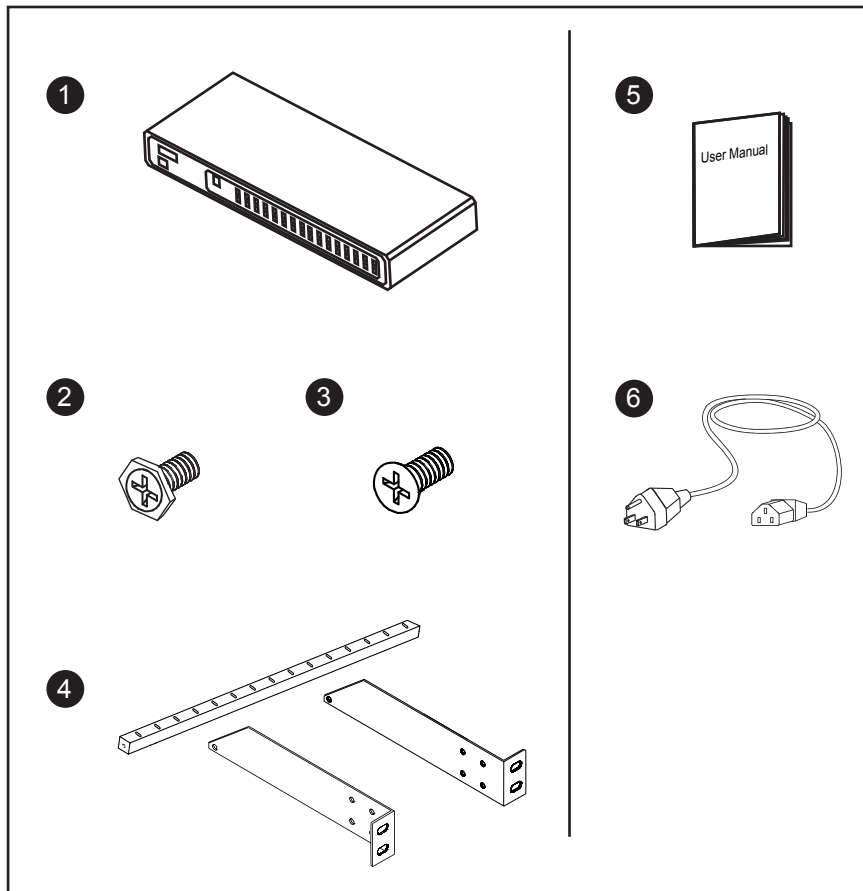
- Package does not include power cord

U-1601 / U-3201  Cat5	
■ KVM Port	Number of ports: 16 or 32 Connector: RJ-45 Connectivity: DG-100S USB dongle / DG-100 PS/2 dongle up to 132 feet
■ Local Console	Graphic connector: HDDB15-pin VGA Resolution: Up to 1600 x 1200 Input device: 2 x USB type A for keyboard & mouse
■ Management	Multilingual OSD: English, France, German, Spanish, Italian, Russian, Simplified Chinese, Japanese Hotkey combination: Scroll-lock, Cap-lock, Num-lock, Alt, Ctrl & Win Security: Password enable & disable, up to 8 users profile for port access PC Selection: Front button, OSD menu & hotkey
■ Expansion:	Up to 256 servers by 8-level cascade
■ Compatibility	Multi-platform: Mix PCs, SUNs, IBMs, HPs, DELLs Server Support: Windows Vista / 2003 / XP / 2000, Linux, Netware, Unix
■ Power	Input: 100 or 240V AC at 50 or 60 Hz via IEC type cord OR AC / DC power adapter 12V@3.3A (optional) Option DC: 12V / 24V / 48V DC input Consumption: Max. 25 Watt
■ Regulatory Approval:	FCC, CE
■ Environmental	Operating: 0 to 50°C Storage: -10 to 60°C Relative humidity: 90%, non-condensing Shock: 50G peak acceleration (11ms, half-sine wave) Vibration: 58~100Hz / 0.98G (11ms / cycle)
■ Product Information	Dimension (W x D x H): 443 x 180 x 44 mm / 17.3 x 7.1 x 1.73 inch Net weight: 4 kg / 9 lb
■ Packing Information	Dimension (W x D x H): 510 x 400 x 77 mm / 20.1 x 15.7 x 3 inch Gross weight: 7 kg / 15 lb

U-1602 / U-3202  <i>Cat5</i>	
■ KVM Port	Number of ports: 16 or 32 Connector: RJ-45 Connectivity: DG-100S USB dongle / DG-100 PS/2 dongle up to 132 feet
■ Local Console	Graphic connector: HDB15-pin VGA Resolution: Up to 1600 x 1200 Input device: 2 x USB type A for keyboard & mouse
■ Remote Console	Connector: HDB15-pin, VGA Resolution: Up to 1600 x 1200 (500 feet), Up to 1024 x 768 (1000 feet) Input device: 2 x USB type A for keyboard & mouse Remote I/O: RJ45 via Cat5 / Cat5e / Cat6 cable up to 1000 feet Compensation: Auto adjust for cable length
■ Expansion:	Up to 256 servers by 8-level cascade
■ Compatibility	Multi-platform: Mix PCs, SUNs, IBMs, HPs, DELLs Server Support: Windows Vista / 2003 / XP / 2000, Linux, Netware, Unix, DOS
■ Power	Input: 100 or 240V AC at 50 or 60 Hz via IEC type cord OR AC / DC power adapter 12V@3.3A (optional) Option DC: 12V / 24V / 48V DC input Consumption: Max. 25 Watt
■ Regulatory Approval:	FCC, CE
■ Environmental	Operating: 0 to 50°C Storage: -10 to 60°C Relative humidity: 90%, non-condensing Shock: 50G peak acceleration (11ms, half-sine wave) Vibration: 58~100Hz / 0.98G (11ms / cycle)
■ Product Information	Dimension (W x D x H): 443 x 180 x 44 mm / 17.3 x 7.1 x 1.73 inch Net weight: 4 kg / 9 lb
■ Packing Information	Dimension (W x D x H): 510 x 400 x 77 mm / 20.1 x 15.7 x 3 inch Gross weight: 7 kg / 15 lb

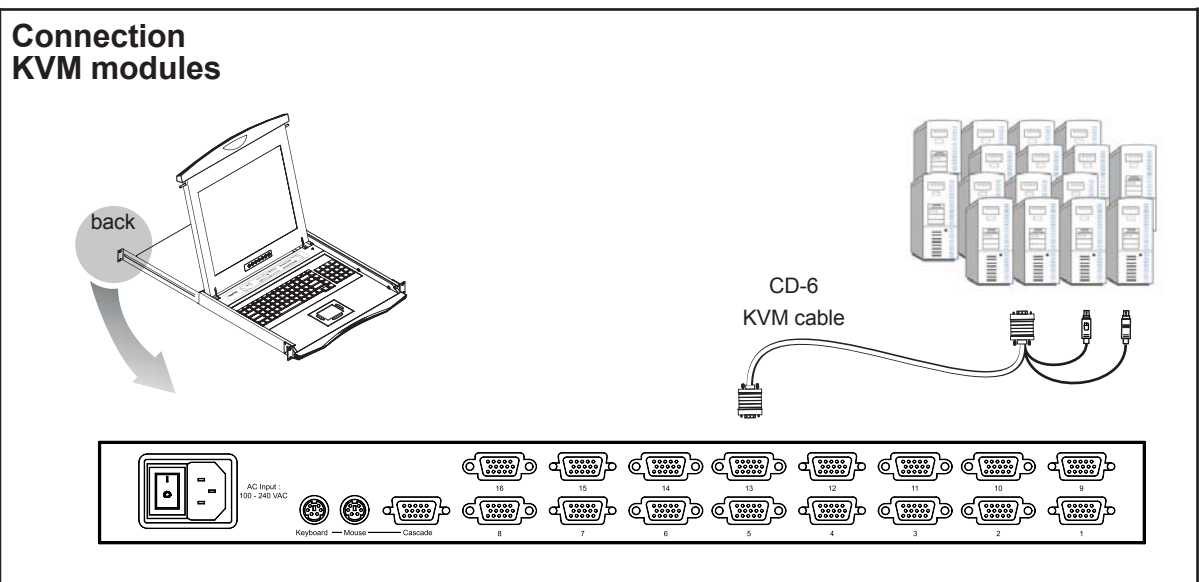
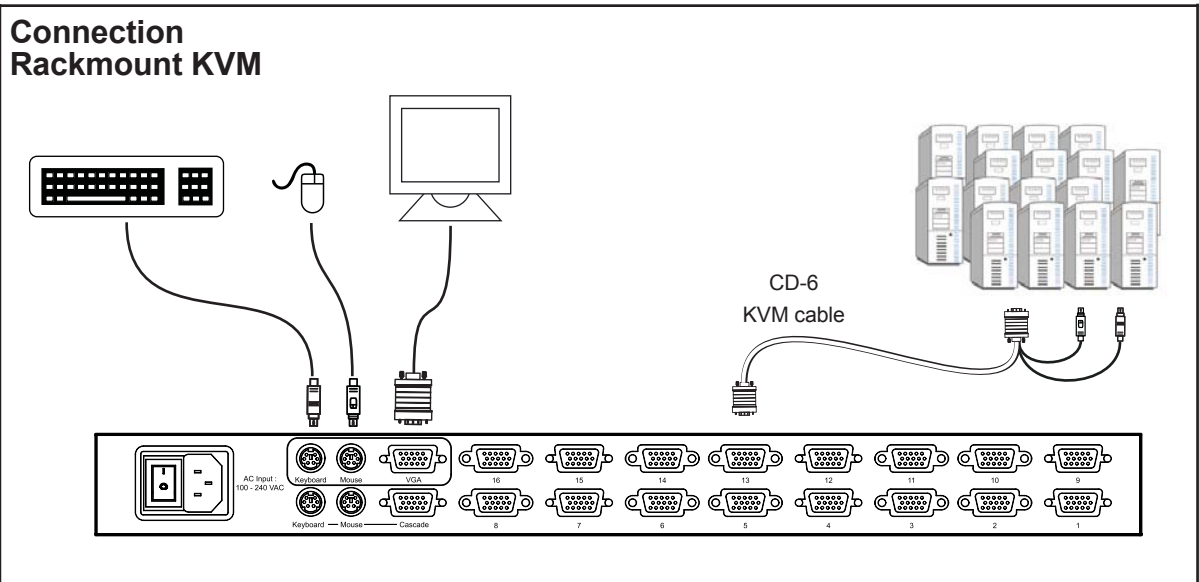
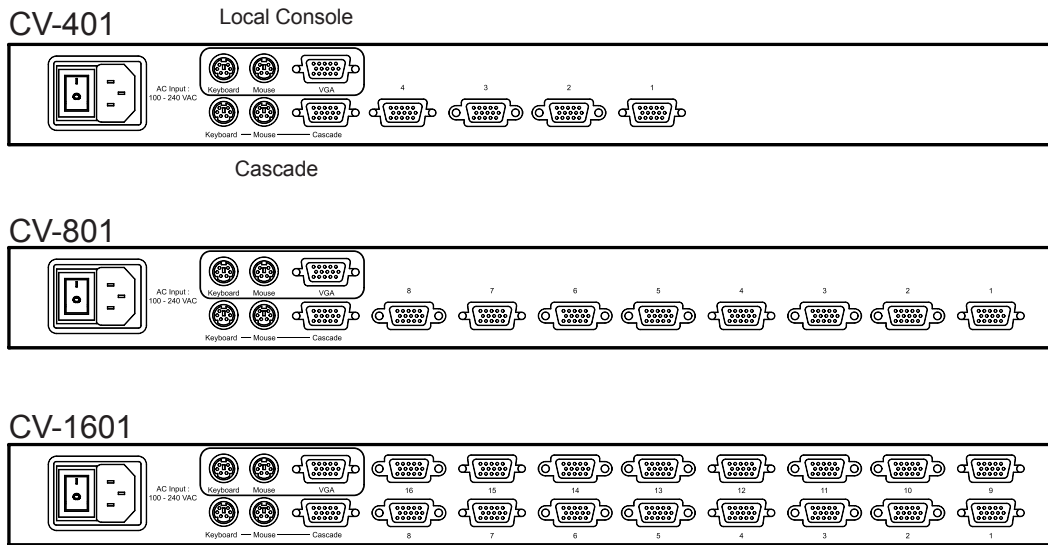
UIP-1602 / UIP-3202 <i>IP</i>   Cat5	
■ KVM Port	<p>Number of ports: 16 or 32</p> <p>Connector: RJ-45</p> <p>Connectivity: DG-100S USB dongle / DG-100 PS/2 dongle up to 132 feet</p>
■ Local Console	<p>Graphic connector: HDDB15-pin</p> <p>Resolution: Up to 1600 x 1200</p> <p>Input device: 2 x USB type A for keyboard & mouse</p>
■ IP Remote Console	<p>Connector: RJ45 Ethernet</p> <p>User management: 15-user login, 1 x active user</p> <p>Network protocol: DHCP / BOOTP / DNS</p> <p>Security: SSL v3, RSA, AES, HTTP / HTTPS, CSR</p> <p>Resolution: Up to 1600 x 1200</p> <p>Browser: IE, Firefox, Safari, Netscape</p> <p>Others: Serial port, virtual media via USB</p>
■ Expansion:	Up to 256 servers by 8-level cascade
■ Compatibility	<p>Multi-platform: Mix PCs, SUNs, IBMs, HPs, DELLs Server</p> <p>Support: Windows Vista / 2003 / XP / 2000, Linux, Netware, Unix</p>
■ Power	<p>Input: 100 or 240V AC at 50 or 60 Hz via IEC type cord OR AC / DC power adapter 12V@3.3A (optional)</p> <p>Option DC: 12V / 24V / 48V DC input</p> <p>Consumption: Max. 25 Watt</p>
■ Regulatory Approval:	FCC, CE
■ Environmental	<p>Operating: 0 to 50°C</p> <p>Storage: -10 to 60°C</p> <p>Relative humidity: 90%, non-condensing</p> <p>Shock: 50G peak acceleration (11ms, half-sine wave)</p> <p>Vibration: 58~100Hz / 0.98G (11ms / cycle)</p>
■ Product Information	<p>Dimension (W x D x H): 443 x 180 x 44 mm / 17.3 x 7.1 x 1.73 inch</p> <p>Net weight: 4 kg / 9 lb</p>
■ Packing Information	<p>Dimension (W x D x H): 510 x 400 x 77 mm / 20.1 x 15.7 x 3 inch</p> <p>Gross weight: 7 kg / 15 lb</p>

Package Content (only for rackmount KVM)

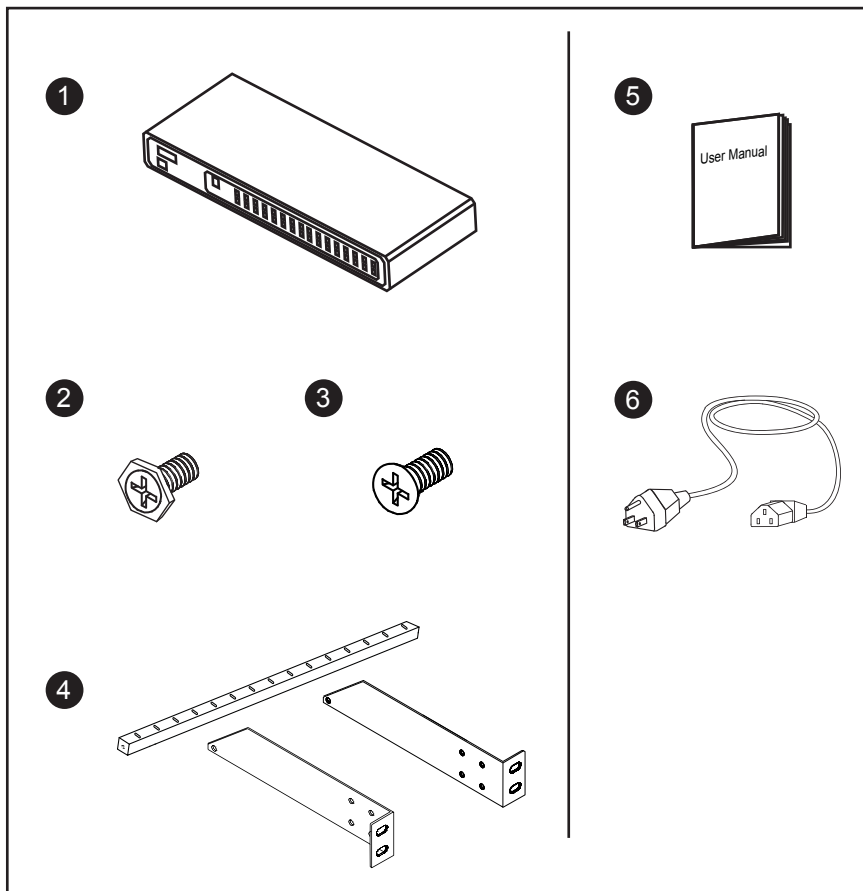


- ① KVM switch x 1 pc
- ② Screw M3.2 x 4.5mm x 4 pcs
- ③ Screw M4 x 10mm x 8 pcs
- ④ Bracket x 1 set
- ⑤ User manual x 1 pc
- ⑥ Power cord x 1 pc

Connection

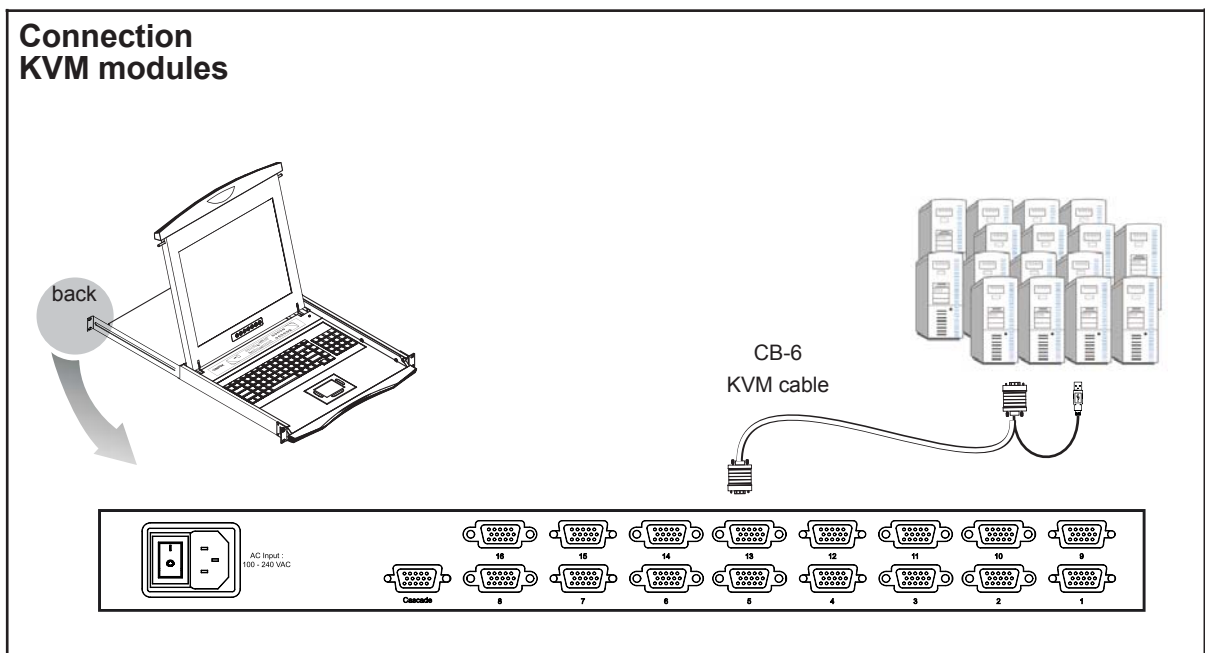
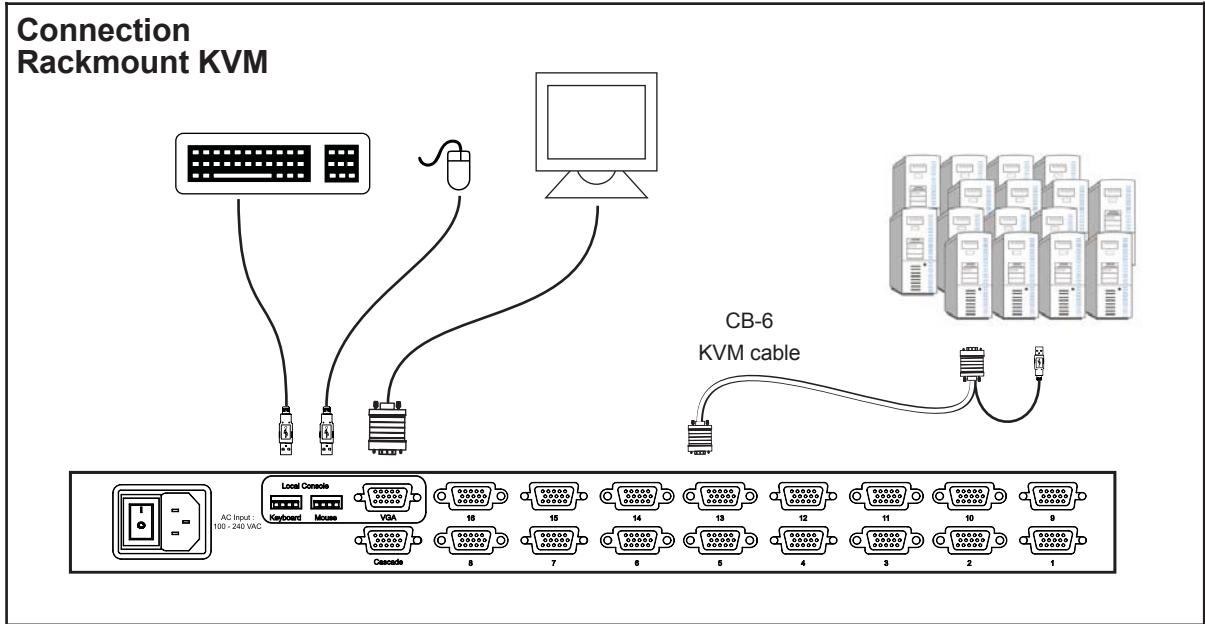
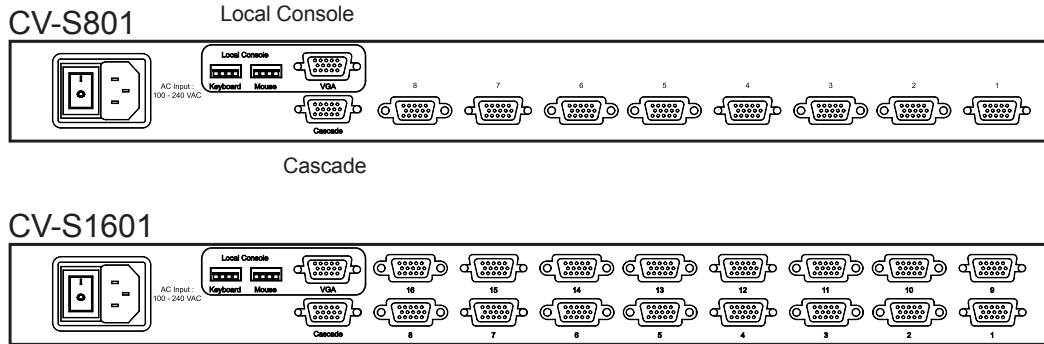


Package Content



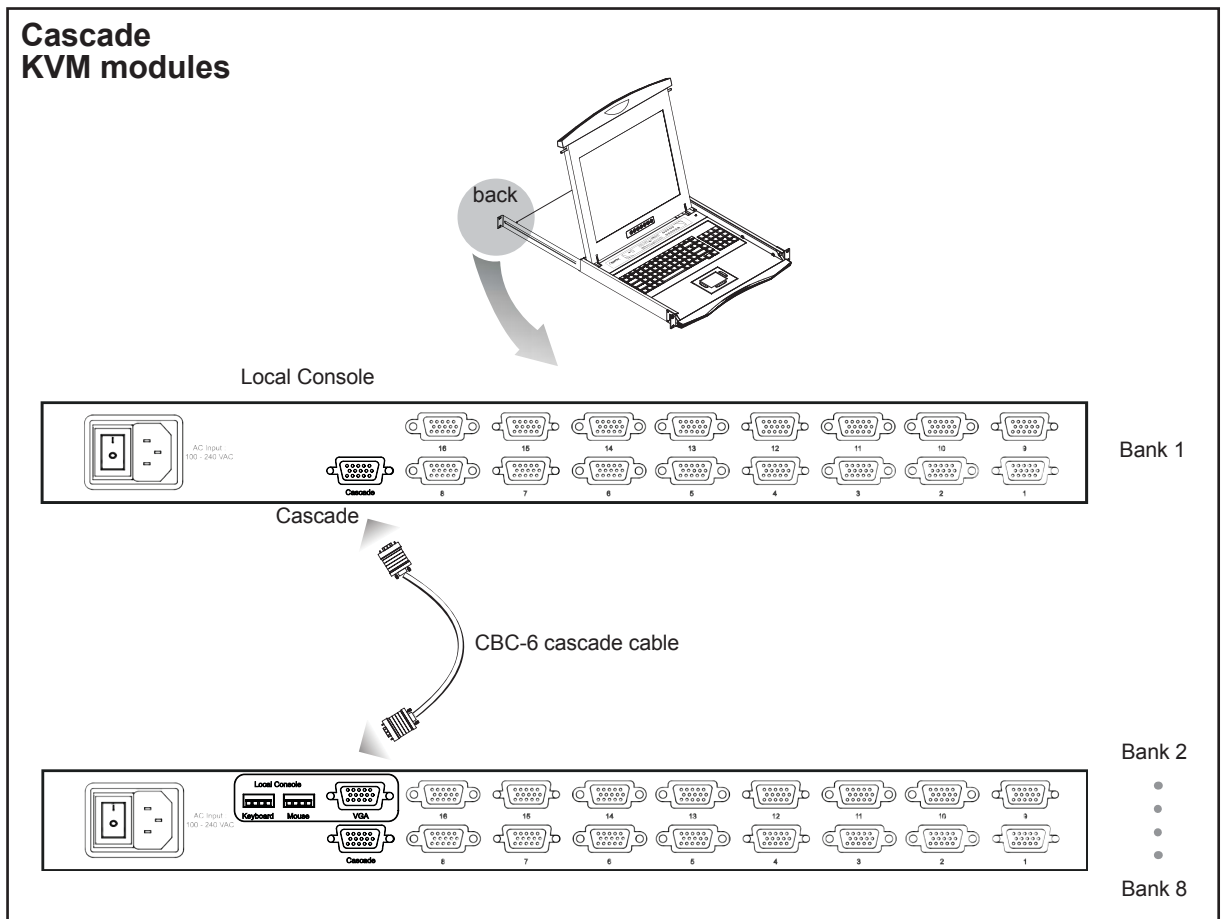
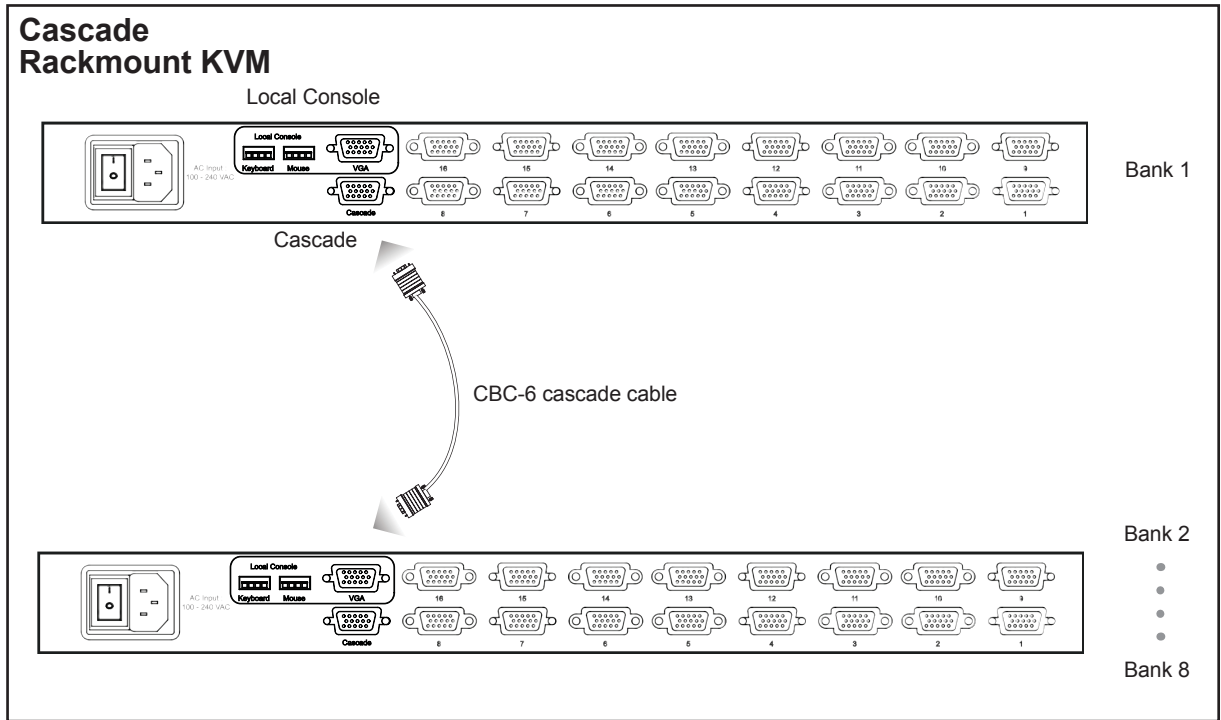
- ① KVM switch x 1 pc
- ② Screw M3.2 x 4.5mm x 4 pcs
- ③ Screw M4 x 10mm x 8 pcs
- ④ Bracket x 1 set
- ⑤ User manual x 1 pc
- ⑥ Power cord x 1 pc

Connection

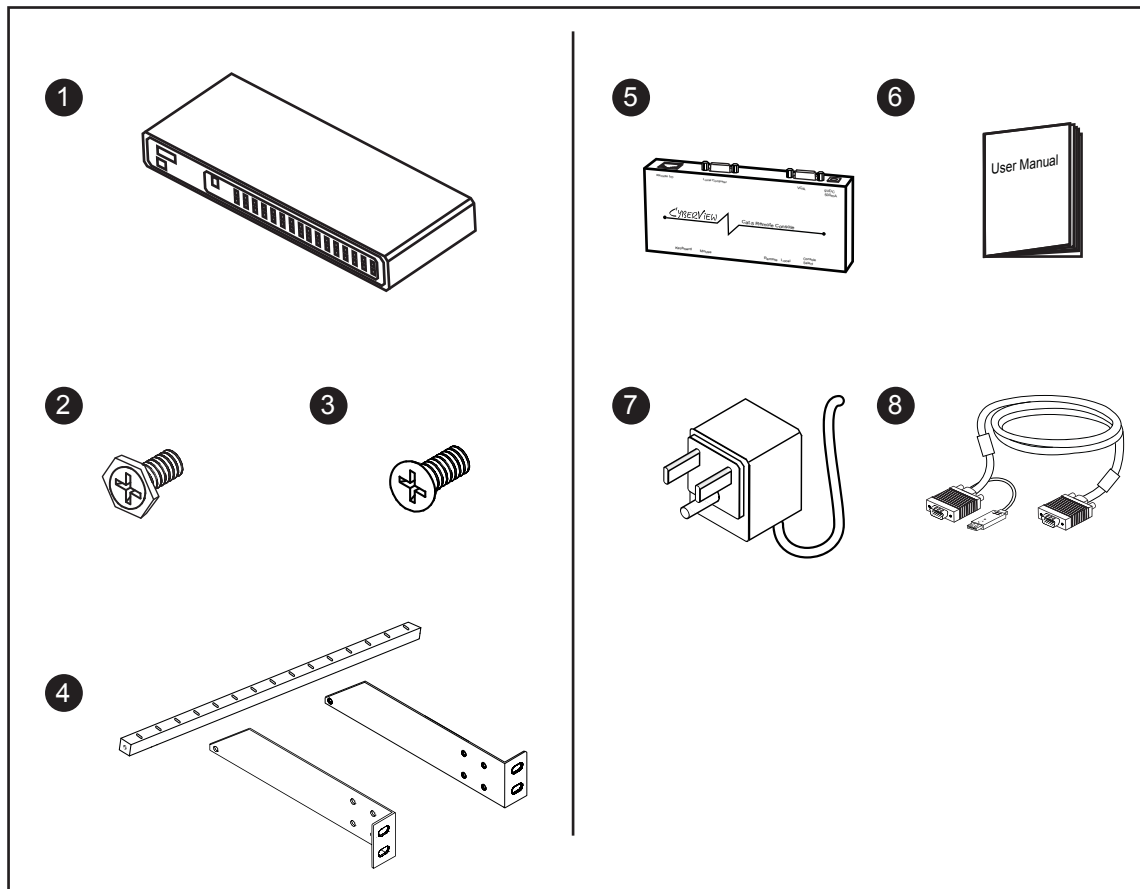


Cascade

- With the CV-S801 cascade up to 120 servers. With the CV-S1601 cascade up to 128 servers.
- Cascading multiple KVM by CBC-6 cable

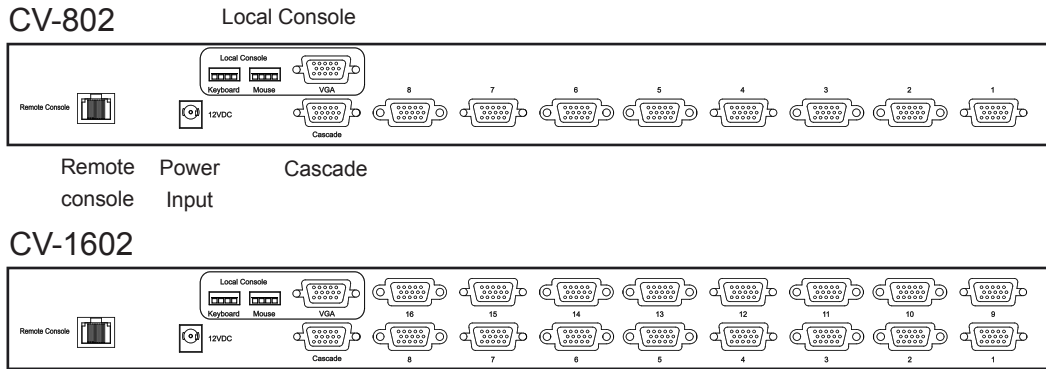


Package Content (only for rackmount KVM)

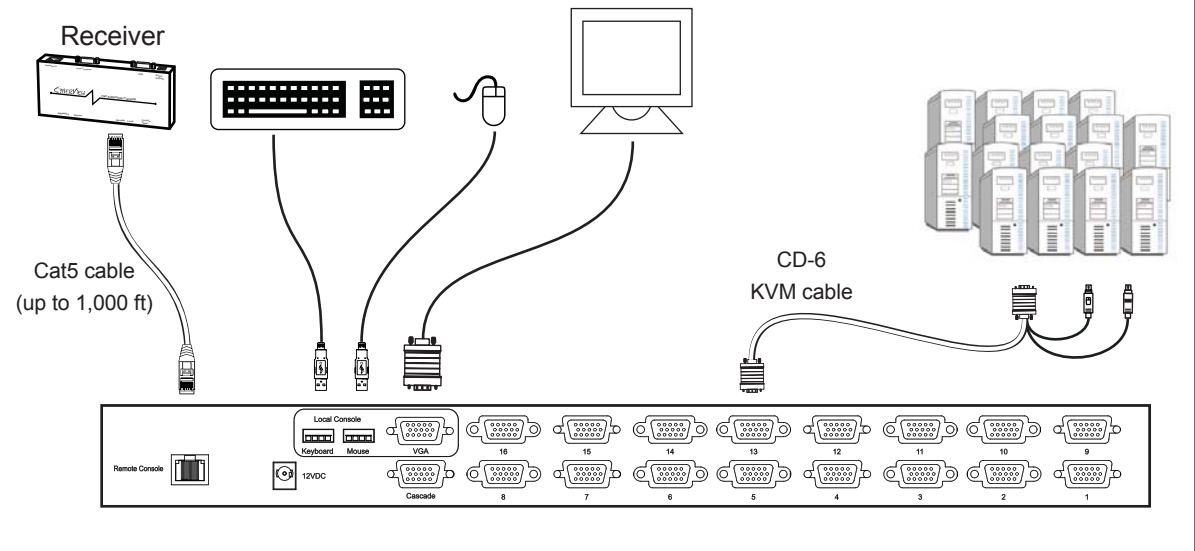


- ① KVM switch x 1 pc
- ② Screw M3.2 x 4.5mm x 4 pcs
- ③ Screw M4 x 10mm x 8 pcs
- ④ Bracket x 1 set
- ⑤ Receiver x 1 pc
- ⑥ User manual x 1 pc
- ⑦ Power adapter x 2 pcs (12V DC for KVM switch ; 9V DC for receiver)
- ⑧ CB-6 2-in-1 USB KVM cable x 1 pc

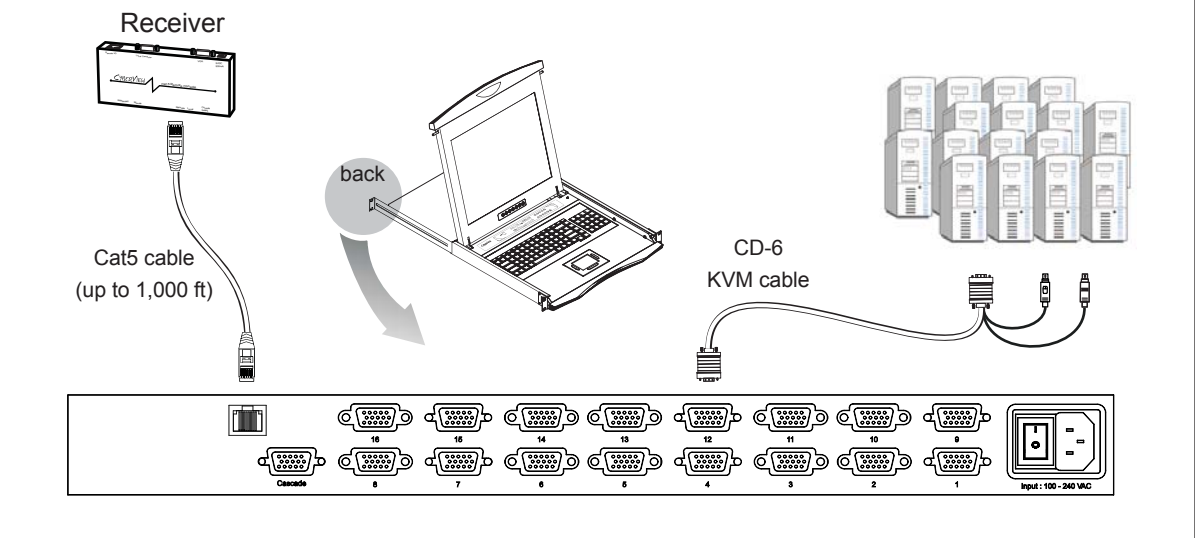
Connection



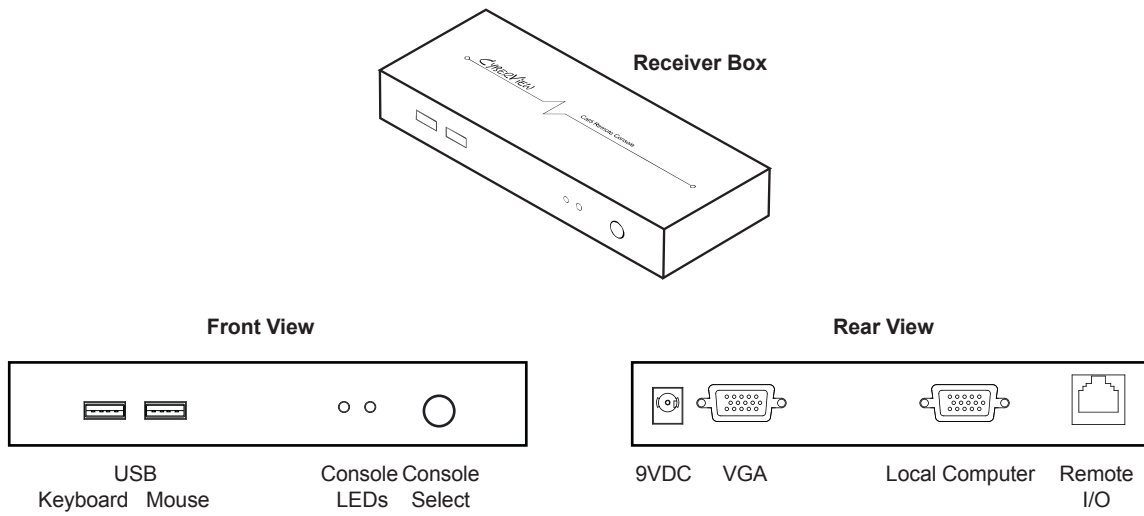
Connection Rackmount KVM



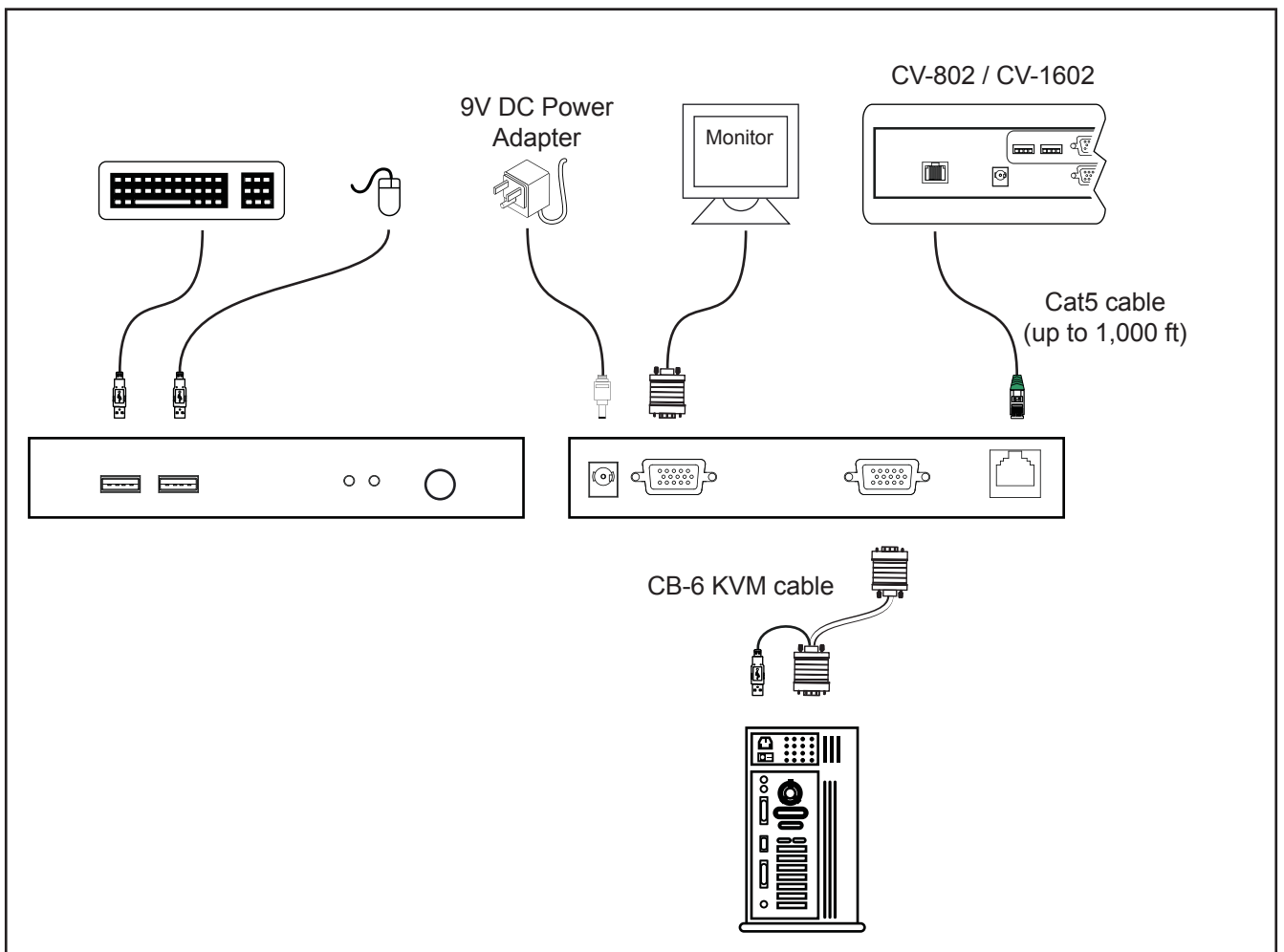
Connection KVM modules



Receiver

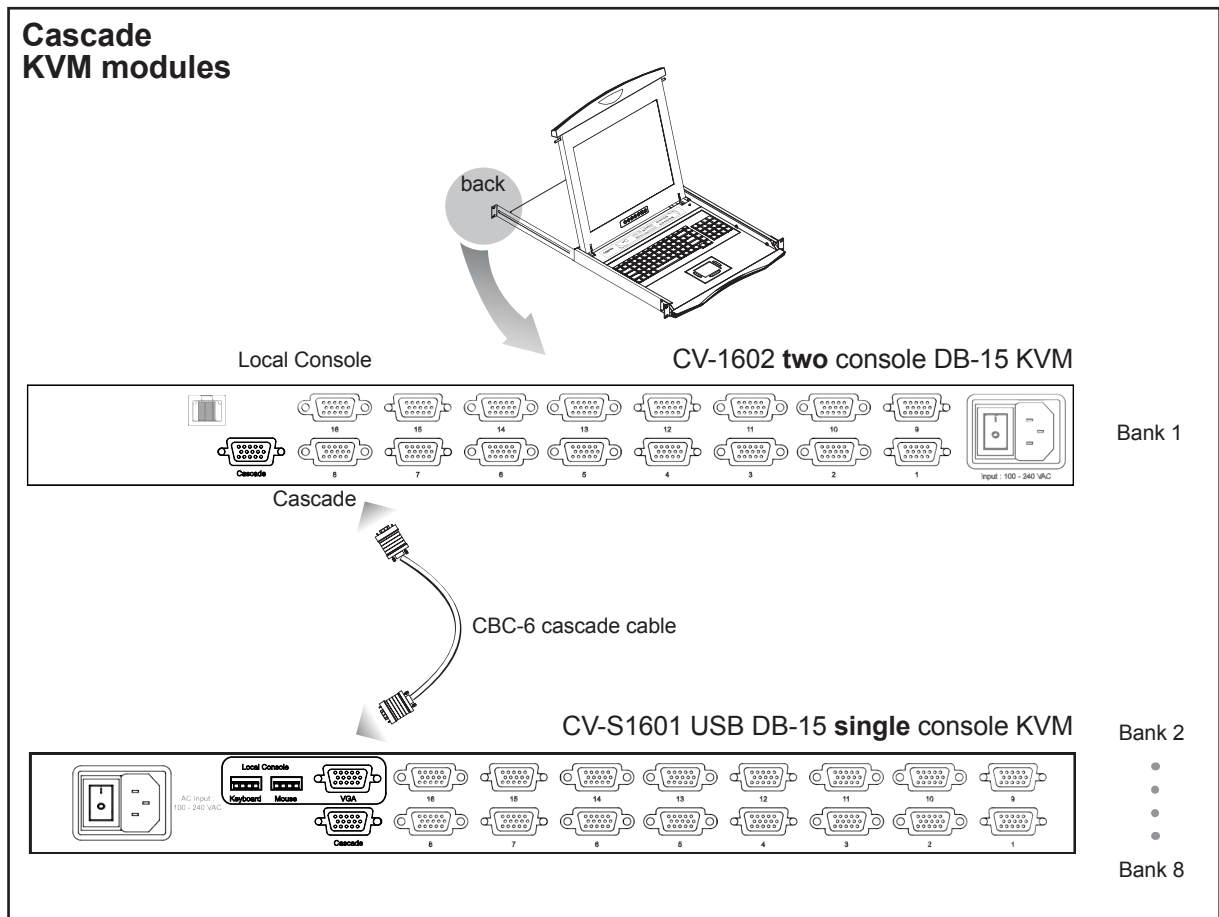
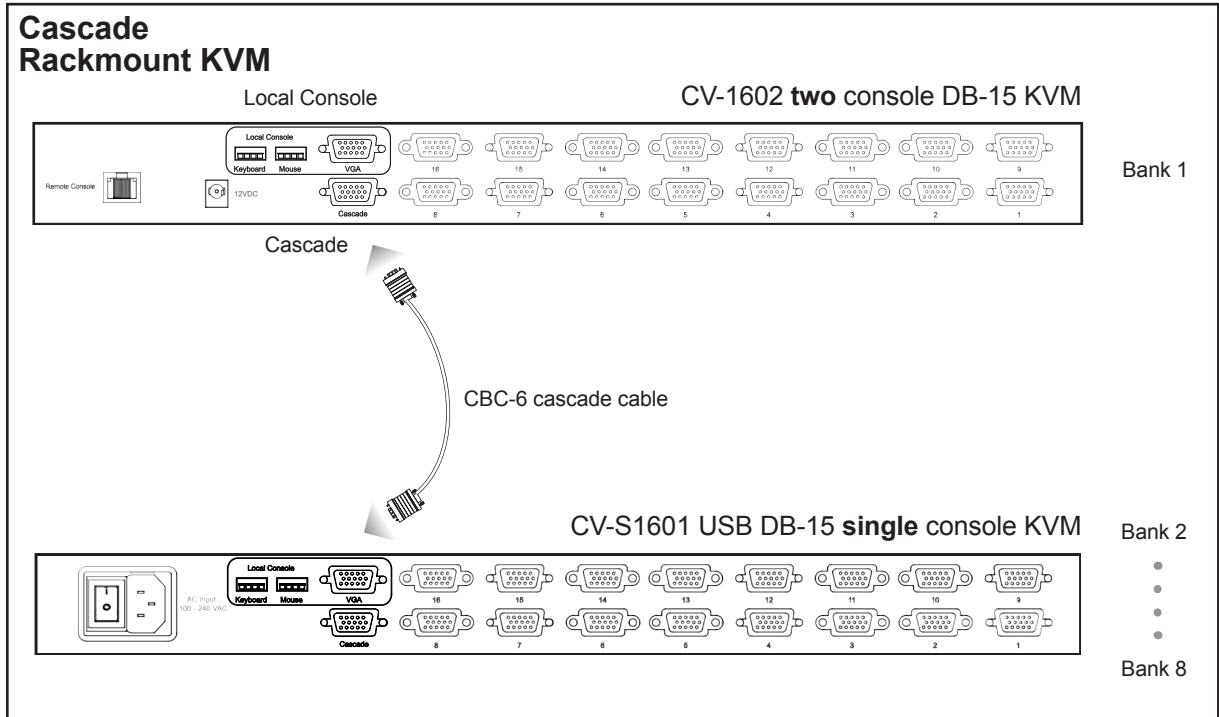


Receiver Connection

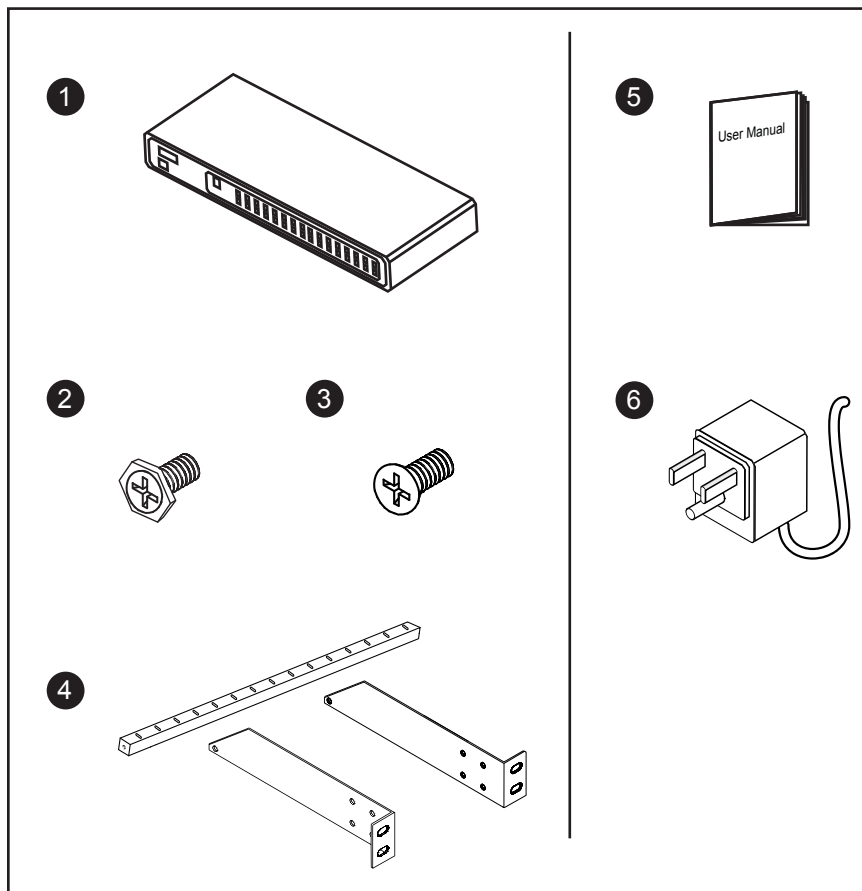


Cascade

- Cascaded KVM (Bank 2 to 8) must be single console USB KVM - CV-S801 / CV-S1601
- With the CV-802 cascade up to 120 servers. With the CV-1602 cascade up to 128 servers.
- Cascading multiple KVM by CBC-6 cable

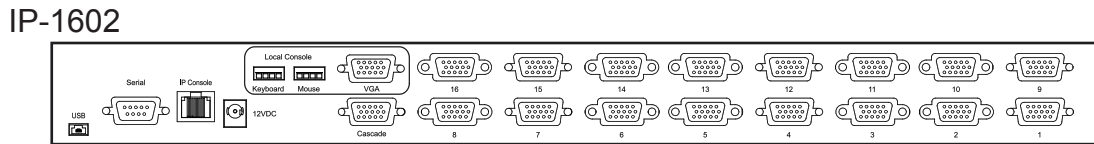
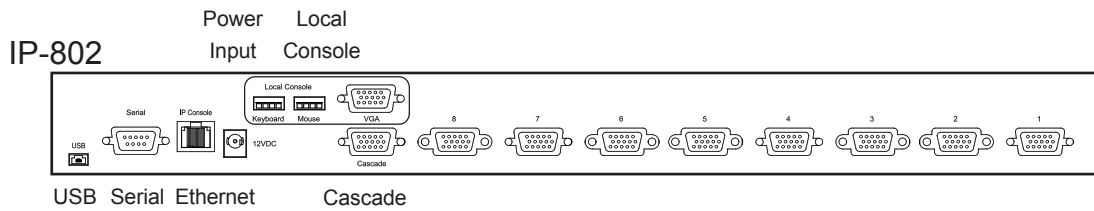


Package Content (only for rackmount KVM)

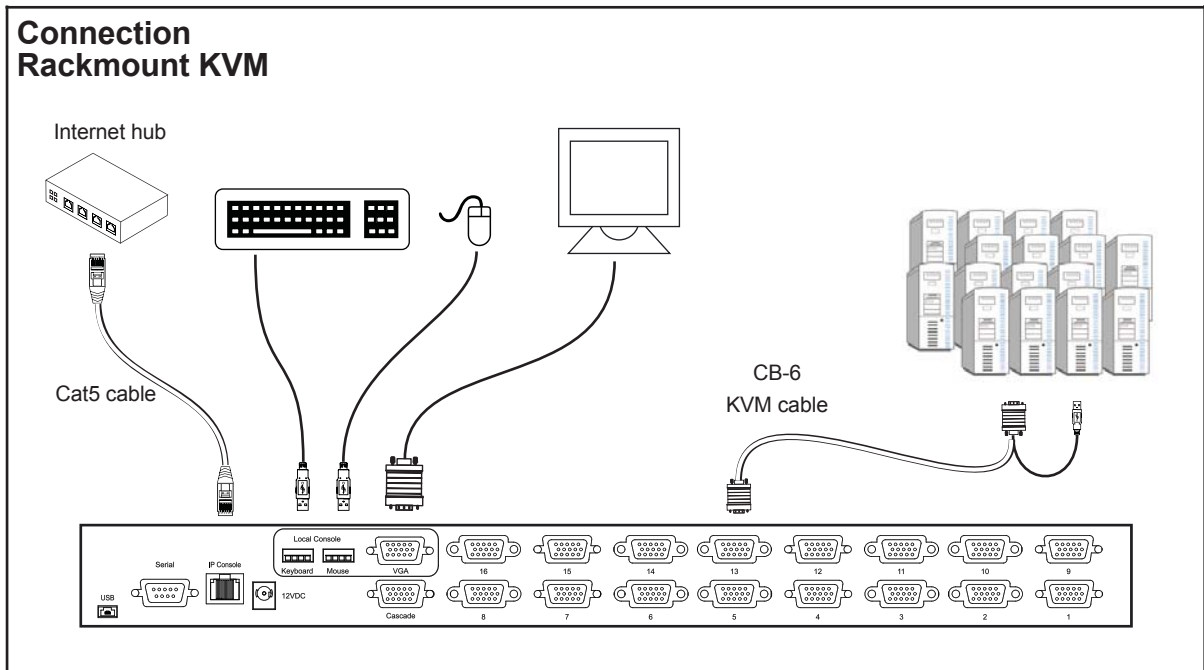


- ① KVM switch x 1 pc
- ② Screw M3.2 x 4.5mm x 4 pcs
- ③ Screw M4 x 10mm x 8 pcs
- ④ Bracket x 1 set
- ⑤ User manual x 2 pcs
- ⑥ Power adapter x 1 pc

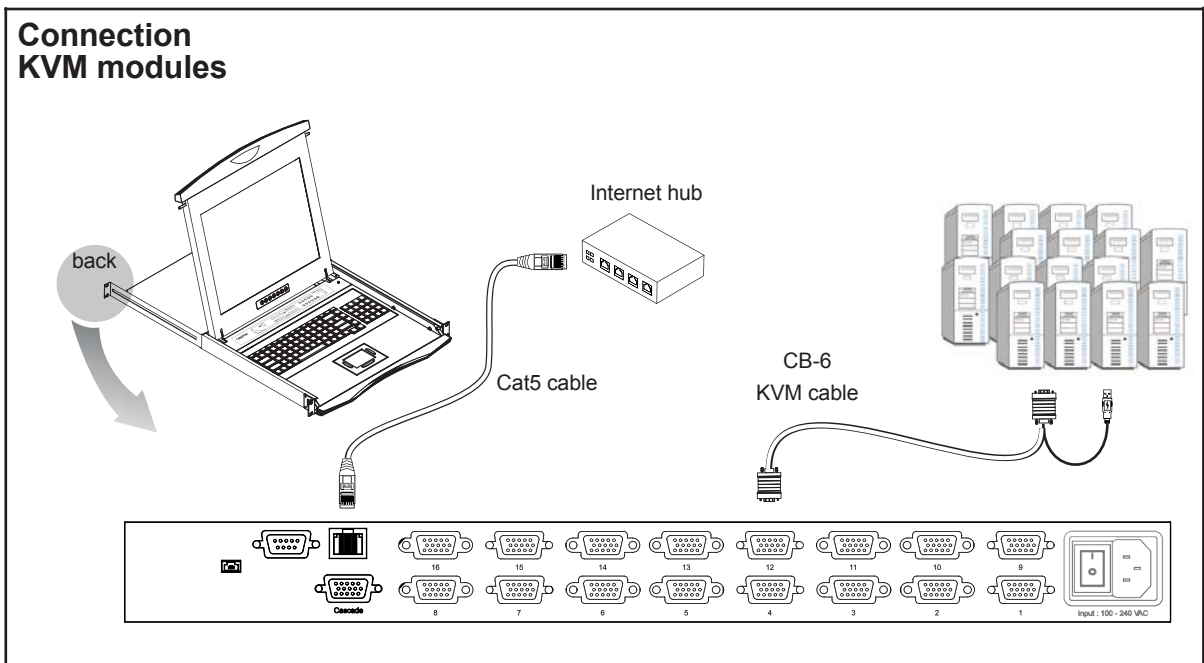
Connection



Connection
Rackmount KVM



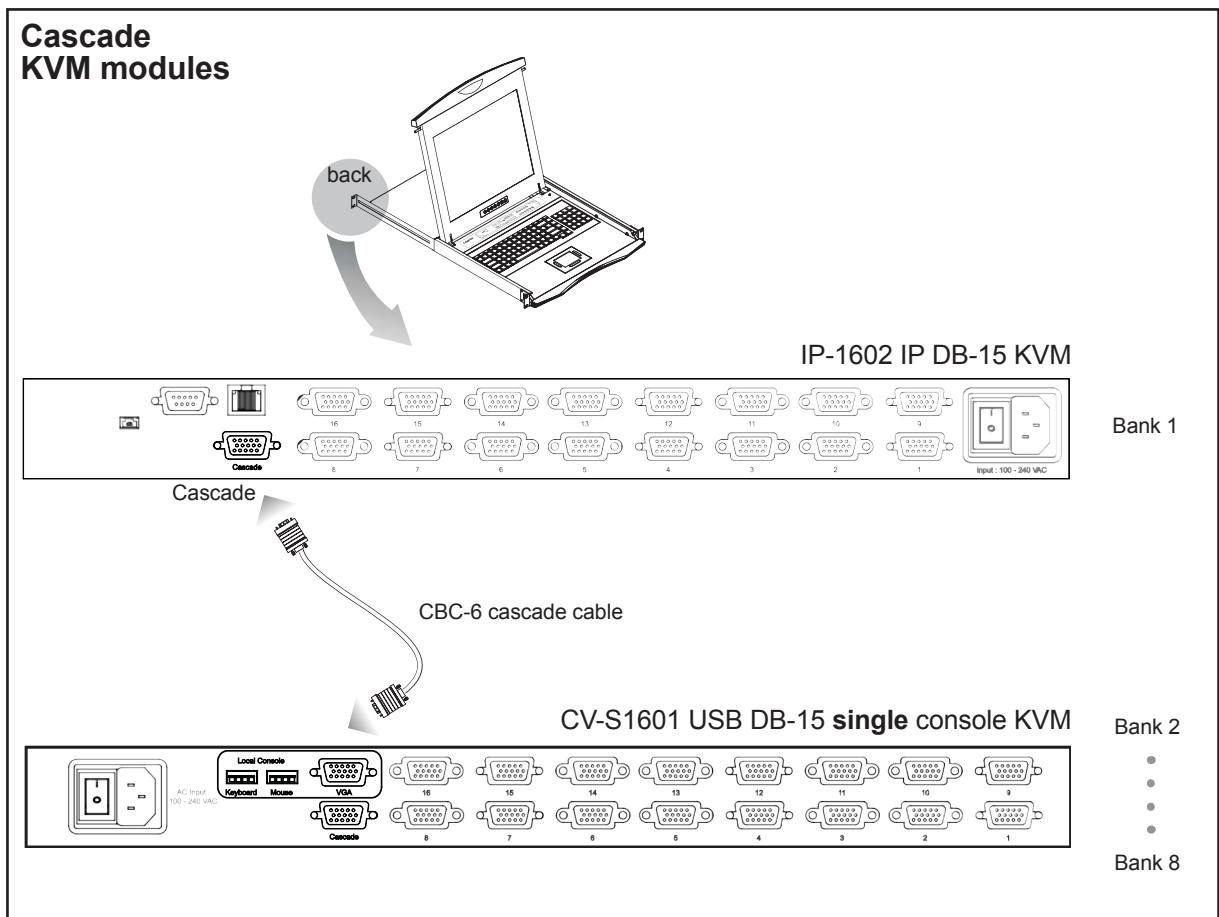
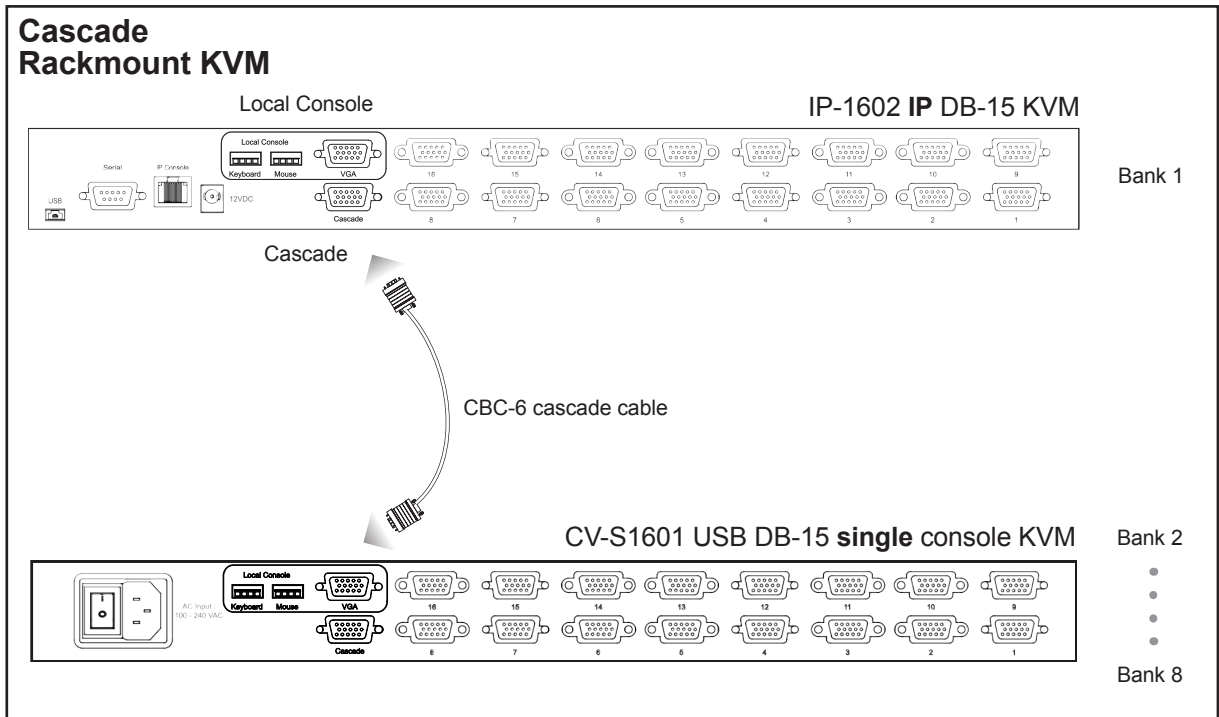
Connection
KVM modules



■ For USB & serial connection, please refer to the attached IP KVM user manual

Cascade

- Cascaded KVM (Bank 2 to 8) must be single console USB KVM - CV-S801 / CV-S1601
- With the IP-802 cascade up to 120 servers. With the IP-1602 cascade up to 128 servers.
- Cascading multiple KVM by CBC-6 cable



Power ON

- Turn off all servers and KVM switches
- Make sure all cables / connectors are properly connected
- Recommend Power ON sequence is monitor, KVM switch finally computer

Front Panel - Port LED Indications

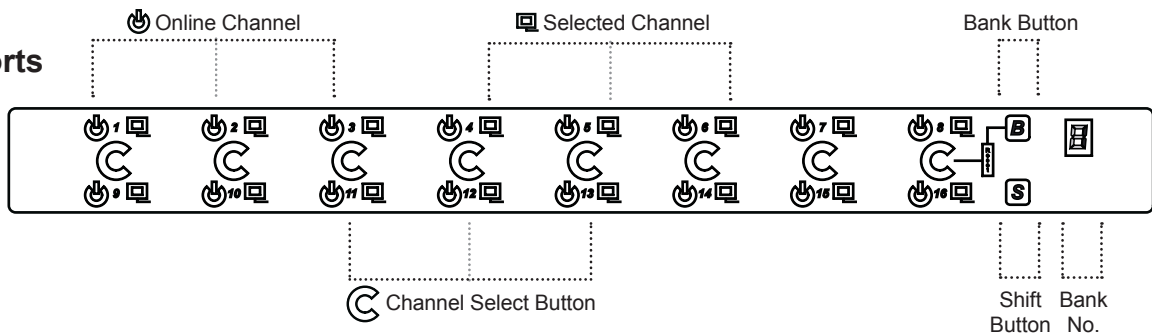
4 ports (only for CV-401)



8 ports



16 ports



Online Channel	Green LED on indicating a PC is connecting to the port
Selected Channel	RED LED on indicating a selected channel
Bank Button	Select the bank from 1 to 8
Channel Select Button	Press to select channel from 1 to 8
Shift Button	Press & hold follow with a channel button to select channel from 9 to 16
Bank No.	7-Segment BANK LED indication

Password for CV-401 / CV-801 / CV-1601

The password is enabled by default, the default password is "00000000" eight zeros (**Do not use "0" on number pad**)

■ Set your own user name & password

1. Call KVM OSD menu by pressing the KVM hotkey **Scroll Lock + Scroll Lock + Space Bar**
2. Select "CHANGE PASSWORD"
3. Enter "00000000" eight zeros in password field
(Do not use "0" on number pad)
4. Set your own password in "ENTER NEW PASSWORD" field
5. Retype your own new password in "RETYPE NEW PASSWORD" field

Remark: a. Blank has underscore. SPACE does not have underscore.
b. Press any alphanumeric key to move to next input item.

■ Change your password

1. Call KVM OSD menu by pressing the KVM hotkey **Scroll Lock + Scroll Lock + Space Bar**
2. Select "CHANGE PASSWORD"
3. Enter your own password
4. Change your password in "ENTER NEW PASSWORD" field
5. Retype your new password in "RETYPE NEW PASSWORD" field

Remark: a. Blank has underscore. SPACE does not have underscore.
b. Press any alphanumeric key to move to next input item.

■ Forget your password

Please contact your supplier for further support



Remark:

- You must press the KVM hotkey within 2 seconds
- A beep sound will be heard for successful entering KVM hotkey

Password for CV-S801 / CV-S1601

The password is disabled by default (i.e. There is no password required when you power on the KVM switch for the first time)

■ Enable password

1. Call KVM OSD menu by pressing the KVM hotkey **Scroll Lock + Scroll Lock + Space Bar**
2. Select "06 PASSWORD"
3. Select ENABLE
4. Reset the KVM by pressing  Bank button &  channel select button on the KVM membrane at the same time
5. Enter "00000000" eight zeros in password field
(Do not use "0" on number pad)

■ Set your own user name & password

1. Call KVM OSD menu by pressing the KVM hotkey **Scroll Lock + Scroll Lock + Space Bar**
2. Select "04 SECURITY"
3. Enter "00000000" eight zeros in password field
(Do not use "0" on number pad)
4. Set your own password in "ENTER NEW PASSWORD" field
5. Retype your own new password in "RETYPE NEW PASSWORD" field



Remark: a. The OSD menu will return back to MAIN CONTROLS if the retyped password matched with the new password
 b. Blank has underscore. SPACE does not have underscore.
 c. Press any alphanumeric key to move to next input item.

■ Change your password

1. Call KVM OSD menu by pressing the KVM hotkey **Scroll Lock + Scroll Lock + Space Bar**
2. Select "04 SECURITY"
3. Enter your own password
4. Change your password in "ENTER NEW PASSWORD" field
5. Retype your new password in "RETYPE NEW PASSWORD" field

Remark: a. The OSD menu will return back to MAIN CONTROLS if the retyped password matched with the new password
 b. Blank has underscore. SPACE does not have underscore.
 c. Press any alphanumeric key to move to next input item.

■ Disable your password

1. Call KVM OSD menu by pressing the KVM hotkey **Scroll Lock + Scroll Lock + Space Bar**
2. Select "06 PASSWORD"
3. Select DISABLE
4. Reset the KVM by pressing  Bank button &  channel select button on the KVM membrane at the same time
5. You don't need password to access the KVM OSD menu

■ Forget your password

Please contact your supplier for further support

Remark:

- You must press the KVM hotkey within 2 seconds
- A beep sound will be heard for successful entering KVM hotkey

Password for CV-802 / CV-1602 / IP-802 / IP-1602

The password is disabled by default (i.e. There is no password required when you power on the KVM switch for the first time)

■ Enable password

1. Press the KVM hotkey **Scroll Lock + Scroll Lock + U**
 2. Logout the KVM by pressing the hotkey **Scroll Lock + Scroll Lock + P**
 3. In SUPERVISOR level, enter "00000000" eight zeros in user name & password field
(Do not use "0" on number pad)
 4. In USER level, press **Space bar + Enter** in user name & password field
- Remark: Automatic logout after 10 minutes of inactivity

■ Set your own user name & password

1. Login the KVM in SUPERVISOR level by pressing "00000000" eight zeros in user name & password field
2. Call KVM OSD menu by pressing the KVM hotkey **Scroll Lock + Scroll Lock + Space Bar**
3. Press **F1** to the MAIN MENU
4. Select "USER SECURITY"
5. Set password in SUPERVISOR & USER level
 - a. In the left-top row "S" (SUPERVISOR), press **Enter** to set your own user name & password
 - b. In the row 1 to 8 (USER), press **Enter** to set your own user name & password
6. Press **Enter** to save the setting or press **Esc** to cancel the editing without any change

Remark: a. Blank has underscore. SPACE does not have underscore.

- b. Press any alphanumeric key to move to next input item. SPACE is treated as a valid character

■ Change your password

1. Login the KVM in SUPERVISOR level by pressing your own user name & password
2. Call KVM OSD menu by pressing the KVM hotkey **Scroll Lock + Scroll Lock + Space Bar**
3. Press **F1** to the MAIN MENU
4. Select "USER SECURITY"
5. Change password in SUPERVISOR & USER level
 - a. In the left-top row "S" (SUPERVISOR), press **Enter** to change your user name & password
 - b. In the row 1 to 8 (USER), press **Enter** to change your user name & password
6. Press **Enter** to save the setting or press **Esc** to cancel the editing without any change

Remark: a. Blank has underscore. SPACE does not have underscore.

- b. Press any alphanumeric key to move to next input item. SPACE is treated as a valid character

■ Disable your password

1. Press the KVM hotkey **Scroll Lock + Scroll Lock + U**
2. Logout the KVM by pressing the KVM hotkey **Scroll Lock + Scroll Lock + P**
3. You don't need user name & password to access the KVM OSD menu



■ Forget your password

Please contact your supplier for further support



Remark:

- You must press the KVM hotkey within 2 seconds
- A beep sound will be heard for successful entering KVM hotkey

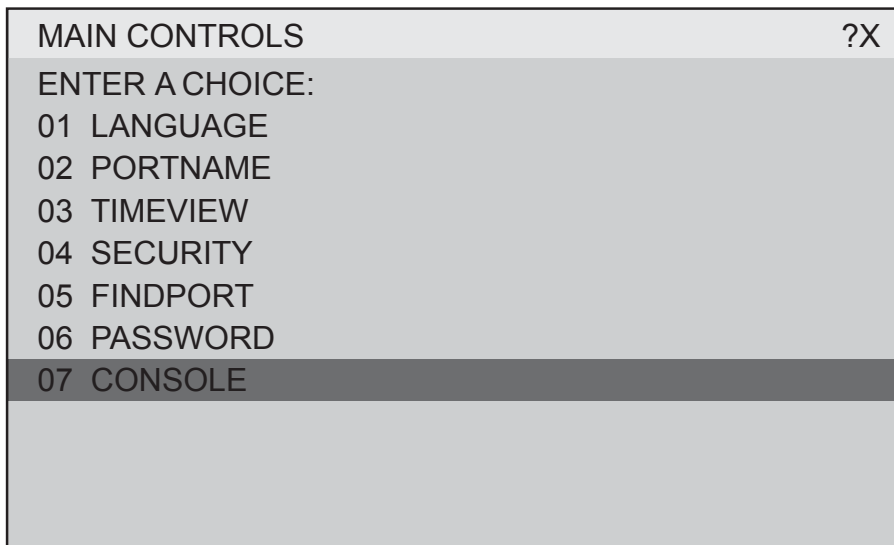
OSD Menu for CV-401 / CV-801 / CV-1601

BANK : 1					
01		SYSTEM	01		02
02		SYSTEM	02		03
03		SYSTEM	03		04
04		SYSTEM	04		05
05		SYSTEM	05		06
06		SYSTEM	06		07
07		SYSTEM	07		08
OSD : 10 SEC			CHANGE PASSWORD		
SCAN : 10 SEC			CONSOLE ON OFF		
ESC : QUIT			ENTER : COMPLETE		
TAB : NEXT			INSERT : EDIT		
↑/↓ : PORT SELECT					
PgUp/PgDn : BANK SELECT					

OSD operation

	next to the system name	The PC is powered on
	next to the system name	The PC is selected
OSD		OSD menu on screen time
SCAN		Scan interval from one PC port to next PC when applying auto scan
CHANGE PASSWORD		Change to a new password
Console ON/OFF		ON - quit the OSD menu without password OFF - password is requested while quitting the OSD menu
ESC		QUIT
TAB		NEXT
↑/↓		Select port for destination PC name and press "Enter" to select
PgUp / PgDn		To switch previous or next bank
ENTER		Complete
INSERT		Edit

OSD Menu for CV-S801 / CV-S1601





01 LANGUAGE	OSD language change
02 PORT NAME	Define port name
03 TIME VIEW	Change OSD TIME / SCAN TIME
04 SECURITY	Change password
05 FIND PORT	Find the system by its name
06 PASSWORD	Enable / Disable the password
07 CONSOLE	Enable - quit the OSD menu without password Disable - password is requested while quitting the OSD menu


OSD Menu for CV-802 / CV-1602 / IP-802 / IP-1602

PORT NAME	
BANK : 1	
01☼ SYSTEM 01☞	F1 : MENU
02☼ SYSTEM 02	F2 : LOGOUT
03☼ SYSTEM 03	F3 : PREV
04☼ SYSTEM 04	ESC : QUIT
05☼ SYSTEM 05	ENTER : COMPLETE
06☼ SYSTEM 06	↑/↓ : SELECT
07☼ SYSTEM 07	PgUp/PgDn :
08☼ SYSTEM 08	BANK SELECT
USER :	
SUPERVISOR	
SCAN TIME :	
10 SEC	FW1V3

OSD operation

 next to the system name	The PC is powered on
 next to the system name	The PC is selected
F1	Access F1 MAIN MENU
F2	Logout the OSD menu
F3	Previous menu
Esc	Cancel / Quit
Enter	Complete / Switch to selected port
↑/↓	Switch to previous or next port
PgUp/PgDn	Switch to previous bank or next bank
1 / 2 / 3 / 4	Display port 01 ~ 08 / 09 ~ 16 / 17 ~ 24 / 25 ~ 32 Remark: Display port 17 ~ 32 for 32 port model only

F1 Main Menu

MAIN MENU  X	
SELECT OPTION :	
01 LANGUAGE	
02	PORT NAME EDIT
03	PORT SEARCH
04	USER SECURITY
05	ACCESS LIST
06	HOTKEY
07	TIME SETTINGS
08	OSD MOUSE

01	LANGUAGE	OSD language change
02	PORT NAME EDIT	Define port name
03	PORT SEARCH	Quick searching by port name
04	USER SECURITY	Change password
05	ACCESS LIST	Define user access authority
06	HOTKEY	Change hotkey
07	TIME SETTINGS	Modify scan display time interval
08	OSD MOUSE	Modify OSD mouse speed

Hotkey for CV-401 / CV-801 / CV-1601 / CV-S801 / CV-S1601

Hotkey	Function
Scroll Lock + Scroll Lock + Space Bar	Calling OSD menu
Scroll Lock + Scroll Lock + ↑	Switch to previous port
Scroll Lock + Scroll Lock + ↓	Switch to next port
Scroll Lock + Scroll Lock + PgUp	Switch to previous bank
Scroll Lock + Scroll Lock + Bank no. + Port no.	Switch to specific port
Scroll Lock + Scroll Lock + PgDn	Switch to next bank
Scroll Lock + Scroll Lock + S	Auto scan for powered on PC
Scroll Lock + Scroll Lock + R	Reset to factory default setting
Scroll Lock + Scroll Lock + B	Enable / Disable beeper sound
Scroll Lock + Scroll Lock + F	Find port by name

Remarks:

Example of “**Scroll Lock + Scroll Lock + Bank no. + Port no.**”

- Bank No. : 1 to 8
- Port No. : 01 to 16
- e.g. Bank 1 Port 4 : **Scroll Lock + Scroll Lock + 1 + 0 + 4**
- e.g. Bank 2 Port 16 : **Scroll Lock + Scroll Lock + 2 + 1 + 6**

Local Console Hotkey for CV-802 / CV-1602 / IP-802 / IP-1602

Hotkey	Function
Scroll Lock + Scroll Lock + Space Bar	Calling OSD menu
Right-button mouse + Esc	Calling OSD menu
Scroll Lock + Scroll Lock + ↑	Switch to previous port
Scroll Lock + Scroll Lock + ↓	Switch to next port
Scroll Lock + Scroll Lock + PgUp / PgDn	Switch to previous bank or next bank
Scroll Lock + Scroll Lock + Bank no. + Port no.	Switch to specific port
Scroll Lock + Scroll Lock + B	Turn the buzzer ON and OFF * Default the buzzer is ON
Scroll Lock + Scroll Lock + P	Logout the KVM if password security is ON. Show up the status windows

Advance hotkeys (for Supervisor login only)

Scroll Lock + Scroll Lock + S	Activate auto-scan mode for connected servers *Press any key to exit the auto-scan mode
Scroll Lock + Scroll Lock + R	Reset all the KVM settings to factory default *Except User Security settings
Scroll Lock + Scroll Lock + U	Disable and enable password security *Default security is OFF

Remarks:

- Example of “**Scroll Lock + Scroll Lock + Bank no. + Port no.**”
 - Bank No. : 1 to 8
 - Port No. : 01 to 16
 - e.g. Bank 1 Port 4 : **Scroll Lock + Scroll Lock + 1 + 0 + 4**
 - e.g. Bank 2 Port 16 : **Scroll Lock + Scroll Lock + 2 + 1 + 6**
- You must press the hotkey within 2 seconds
- A beep sound will be heard for successful entering
- The numeric keypad is not supported, while in OSD screen, the arrow keys, PgUp, PgDn, and Enter keys are supports

Remote Console Hotkey for CV-802 / CV-1602

Hotkey	Function
Caps Lock + Caps Lock + F1	Show up the Help OSD windows
Caps Lock + Caps Lock + F2	Select Hotkey *Default is Caps Lock
Caps Lock + Caps Lock + C	Toggle switch between remote & local port
Caps Lock + Caps Lock + Q	Turn thr buzzer ON & OFF *Default the buzzer is ON
Caps Lock + Caps Lock + S	Activate auto-scan mode for remote & local port *The scan time interval is 5 seconds
Caps Lock + Caps Lock + A	Auto-adjust the video signal

Quick Installation Guide of IP KVM for remote access

Please perform the follow steups

1. Power off all KVM hardware and connected devices.
2. Connect the power supply to IP KVM
3. Connect the monitor, keyboard & mouse to console port of IP KVM (not applicable to integrated LCD drawer version)
4. Connect the KVM cable to IP KVM and target servers
5. Use an Ethernet cable to connect your local area network (LAN) to the IP console port on the KVM

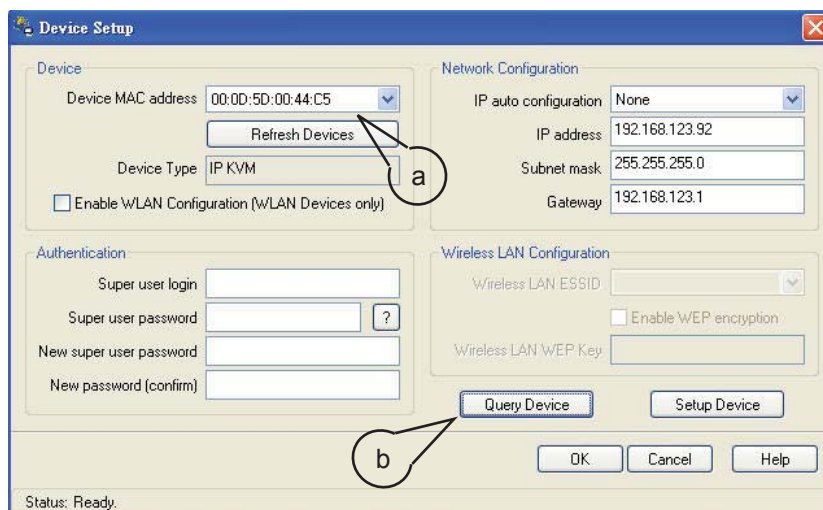
Initial IP configuration

The factory default, DHCP mode is disable (IP auto configuration = None), and the preset default address as below :

IP address : 192.168.1.22 (default)
Subnet-mask : 255.255.255.0
Default Gateway: None

Install the "PSetup.exe" program from the provided CD-disc to a computer which networked with IP KVM switch, then press Refresh Devices the look for the IP-KVM.

- a. Select the MAC address from label on bottom of IP-KVM switch
- b. Click Query Device



1. Configure the IP KVM with fixed address

- a. Setup "IP auto configuration" as "None"; setup IP address and Subnet mask
- b. Enter Super user login and password for Authentication (default : super/pass)
- c. Setup Device. If super login was authenticated, it'll show "Successfully configured device". Otherwise it'll show "Permission Denied".

2. Configure the IP KVM with DHCP

- a. Setup "IP auto configuration" as "DHCP"
- b. Enter Super user login and password for Authentication (default : super/pass)
- c. Setup Device. If super login was authenticated, it'll show "Successfully configured device". Otherwise it'll show "Permission Denied".

3. Install JVM on Client system

The IP-KVM switch was remote accessed by a standard JAVA enabled web browser. The client system must install Sun JVM 1.4.2 or above for remote access the IP KVM.

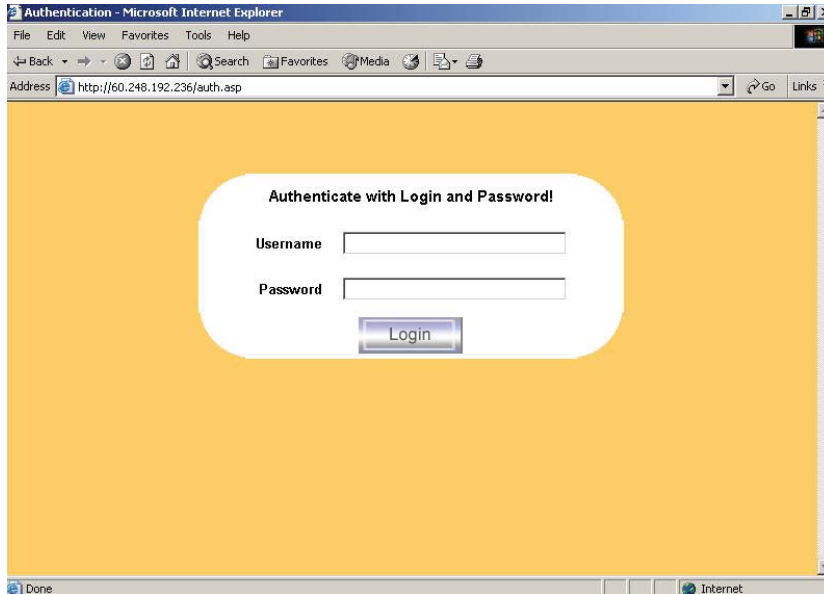
Remark:

- At a minimum, you must have Internet Explorer 6.0 or Netscape 7.0 or Molliza 1.6 (and above) installed on your client computer.

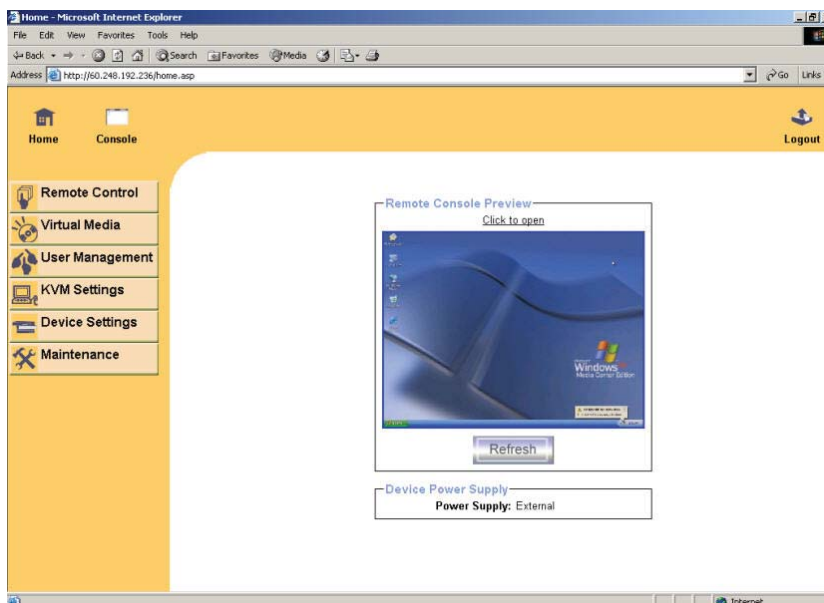
4. Remote access the IP-KVM switch via Web

Using the HTTP protocol or a secure encrypted connection via HTTPS and entering the configured IP address of IP KVM switch into the web browser to remote access the IP KVM switch.

With successful connection to IP KVM, the login page will show as below, then key in the default user name & password



5. After successful login to IP KVM, you will enter the main page of IP KVM as below :

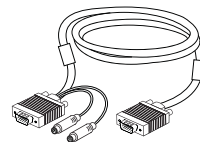


Remark:

- We strongly recommend the user changes the default username and password to user specific values
- Please refer to the "IP KVM User Manual" for more detailed information about IP KVM switch.

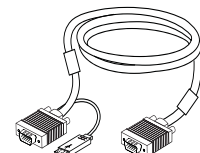
1. PS/2 3-in-1 KVM cable

- 1.1 CD-6 6 feet
- 1.2 CD-10 10 feet
- 1.3 CD-15 15 feet
- 1.4 CD-33 33 feet



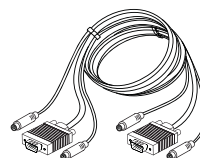
2. USB 2-in-1 KVM cable

- 2.1 CB-6 6 feet
- 2.2 CB-10 10 feet
- 2.3 CB-15 15 feet



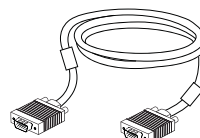
3. PS/2 KVM cascade cable

- 3.1 CA-2 2 feet
- 3.2 CA-6 6 feet
- 3.3 CA-10 10 feet
- 3.4 CA-15 15 feet



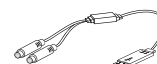
4. USB KVM cascade cable

- 4.1 CBC-6 6 feet



5. SUN / iMAC USB to PS/2 adapter

- 5.1 SUN-31

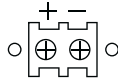


5. Power cord

- 5.1 IEC power cord
- 5.2 NEMA 5-15 power cord (US)
- 5.3 BS 1363 power cord (UK)
- 5.4 CEE 7/4 power cord (German)
- 5.5 AS 3112 power cord (Australia)



8.2 DC Power 12V, 24V, 48V Input







Chapter 8


Model	12V	24V	48V
Input rating			
Input voltage:	12-Volt	24-Volt	48-Volt
Input range:	9 ~ 18V	18 ~ 36V	36 ~ 75V
Input current			
- No load	50 mA	50mA	50 mA
- Full load	4950 mA	2450 mA	1220 mA
Output rating			
Output voltage:	12-Volt	12-Volt	12-Volt
Output current:	4.16A	4.16A	4.16A
Efficiency	84%	85%	85%


Remarks:

- Package does not include power cord

CV-401 / CV-801 / CV-1601   	
■ KVM Port	
Number of ports:	4 or 8 or 16
Connector:	HDDB 15-pin
Connectivity:	CD-6 / 10 / 15 / 33 6' / 10' / 15' / 33' 3-in-1 PS/2 KVM cable
■ Console	
Graphic connector:	HDDB15-pin VGA
Resolution:	Up to 1920 x 1440
Bandwidth:	200MHz
Input device:	PS/2 mini-din 6-pin mouse, PS/2 mini-din 6-pin keyboard
■ On Screen Display	
Port name:	Up to 10 characters long
Port select:	Front membrane button, Hotkey & On screen menu
Security:	Support eight character password
Auto scan:	5~99 seconds
■ Expansion:	Up to 128 servers by 8-level cascade
■ Compatibility	
Multi-platform:	Mix PCs, SUNs, IBMs, HPs, DELLs Server
Support:	Windows Vista / 2003 / XP / 2000, Linux, Netware, Unix, DOS
■ Power	
Input:	100 or 240V AC at 50 or 60 Hz via AC adapter
Option DC:	12V / 24V / 48V DC input
■ Regulatory Approval:	FCC, CE
■ Environmental	
Operating:	0 to 50°C
Storage:	-10 to 60°C
Relative humidity:	90%, non-condensing
Shock:	50G peak acceleration (11ms, half-sine wave)
Vibration:	58~100Hz / 0.98G (11ms / cycle)
■ Product Information	
Dimension (W x D x H):	443 x 180 x 44 mm / 17.3 x 7.1 x 1.73 inch
Net weight:	CV-401 / CV-801 : 3.5 kg / 8 lb CV-1601 : 4 kg / 9 lb
■ Packing Information	
Dimension (W x D x H):	510 x 400 x 77 mm / 20.1 x 15.7 x 3 inch
Gross weight:	CV-401 : 4 kg / 9 lb CV-801 / CV-1601 : 4.5 kg / 10 lb

CV-S801 / CV-S1601 	
■ KVM Port	Number of ports: 8 or 16 Connector: HDDDB 15-pin Connectivity: CB-6 / 10 / 15 6' / 10' / 15' 2-in-1 USB KVM cable
■ Local Console	Graphic connector: HDDDB15-pin VGA Resolution: Up to 1920 x 1440 Bandwidth: 200MHz Input device: 2 x USB type A for keyboard & mouse
■ On Screen Display	Port name: Up to 10 characters long Port select: Front membrane button, Hotkey & On screen menu Security: Support eight character password Auto scan: 5~99 seconds
■ Expansion:	Up to 128 servers by 8-level cascade
■ Compatibility	Multi-platform: Mix PCs, SUNs, IBMs, HPs, DELLs Server Support: Windows Vista / 2003 / XP / 2000, Linux, Netware, Unix, DOS
■ Power	Input: 100 or 240V AC at 50 or 60 Hz via AC adapter Option DC: 12V / 24V / 48V DC input
■ Regulatory Approval:	FCC, CE
■ Environmental	Operating: 0 to 50°C Storage: -10 to 60°C Relative humidity: 90%, non-condensing Shock: 50G peak acceleration (11ms, half-sine wave) Vibration: 58~100Hz / 0.98G (11ms / cycle)
■ Product Information	Dimension (W x D x H): 443 x 180 x 44 mm / 17.3 x 7.1 x 1.73 inch Net weight: CV-S801 / CV-S1601 : 4 kg / 9 lb
■ Packing Information	Dimension (W x D x H): 510 x 400 x 77 mm / 20.1 x 15.7 x 3 inch Gross weight: CV-S801 / CV-S1601 : 4.5 kg / 10 lb

CV-802 / CV-1602 	
■ KVM Port	<p>Number of ports: 8 or 16</p> <p>Connector: HDDB 15-pin</p> <p>Connectivity: CD-6 / 10 / 15 / 33 6' / 10' / 15' / 33' 3-in-1 PS/2 KVM cable</p>
■ Local Console	<p>Graphic connector: HDDB15-pin VGA</p> <p>Resolution: Up to 1920 x 1440</p> <p>Input device: 2 x USB type A for keyboard & mouse</p>
■ Remote Console	<p>Connector: HDDB 15-pin, VGA</p> <p>Resolution: Up to 1600 x 1200 (500 feet), Up to 1024 x 768 (1000 feet)</p> <p>Input device: 2 x USB type A for keyboard & mouse</p> <p>Remote I/O: RJ45 via Cat5 / Cat5e / Cat6 cable up to 1000 feet</p> <p>Compensation: Auto adjust for cable length</p>
■ On Screen Display	<p>Port name: Up to 10 characters long</p> <p>Port select: Front membrane button, Hotkey & On screen menu</p> <p>Security: Support eight character password</p> <p>Auto scan: 5~99 seconds</p>
■ Expansion:	Up to 128 servers by 8-level cascade
■ Compatibilty	<p>Multi-platform: Mix PCs, SUNs, IBMs, HPs, DELLs Server</p> <p>Support: Windows Vista / 2003 / XP / 2000, Linux, Netware, Unix, DOS</p>
■ Power	<p>Input: 100 or 240V AC at 50 or 60 Hz via AC adapter</p> <p>Option DC: 12V / 24V / 48V DC input</p>
■ Regulatory Approval:	FCC, CE
■ Environmental	<p>Operating: 0 to 50°C</p> <p>Storage: -10 to 60°C</p> <p>Relative humidity: 90%, non-condensing</p> <p>Shock: 50G peak acceleration (11ms, half-sine wave)</p> <p>Vibration: 58~100Hz / 0.98G (11ms / cycle)</p>
■ Product Information	<p>Dimension (W x D x H): 443 x 180 x 44 mm / 17.3 x 7.1 x 1.73 inch</p> <p>Net weight: CV-802 / CV-1602 : 4 kg / 9 lb</p>
■ Packing Information	<p>Dimension (W x D x H): 510 x 400 x 77 mm / 20.1 x 15.7 x 3 inch</p> <p>Gross weight: CV-802 / CV-1602 : 4.5 kg / 10 lb</p>

IP-802 / IP-1602 <i>IP</i> 	
■ KVM Port	<p>Number of ports: 8 or 16</p> <p>Connector: HDDB 15-pin</p> <p>Connectivity: CD-6 / 10 / 15 / 33 6' / 10' / 15' / 33' 3-in-1 PS/2 KVM cable</p>
■ Local Console	<p>Graphic connector: HDDB15-pin VGA</p> <p>Resolution: Up to 1920 x 1440</p> <p>Input device: 2 x USB type A for keyboard & mouse</p>
■ IP Remote Console	<p>Connector: RJ45 Ethernet</p> <p>User management: 15-user login, 1 x active user</p> <p>Network protocol: DHCP / BOOTP / DNS</p> <p>Security: SSL v3, RSA, AES, HTTP / HTTPS, CSR</p> <p>Resolution: Up to 1600 x 1200</p> <p>Browser: IE, Firefox, Safari, Netscape</p> <p>Others: Serial port, virtual media via USB</p>
■ Expansion:	Up to 128 servers by 8-level cascade
■ Compatibility	<p>Multi-platform: Mix PCs, SUNs, IBMs, HPs, DELLs Server</p> <p>Support: Windows Vista / 2003 / XP / 2000, Linux, Netware, Unix, DOS</p>
■ Power	<p>Input: 100 or 240V AC at 50 or 60 Hz via AC adapter</p> <p>Option DC: 12V / 24V / 48V DC input</p>
■ Regulatory Approval:	FCC, CE
■ Environmental	<p>Operating: 0 to 50°C</p> <p>Storage: -10 to 60°C</p> <p>Relative humidity: 90%, non-condensing</p> <p>Shock: 50G peak acceleration (11ms, half-sine wave)</p> <p>Vibration: 58~100Hz / 0.98G (11ms / cycle)</p>
■ Product Information	<p>Dimension (W x D x H): 443 x 180 x 44 mm / 17.3 x 7.1 x 1.73 inch</p> <p>Net weight: IP-802 : 4.5 kg / 10 lb IP-1602 : 5 kg / 11 lb</p>
■ Packing Information	<p>Dimension (W x D x H): 510 x 400 x 77 mm / 20.1 x 15.7 x 3 inch</p> <p>Gross weight: IP-802 : 5.5 kg / 12 lb IP-1602 : 6 kg / 13 lb</p>

General

1. **How do the KVM switches allow the user to switch ports?**

There are two ways to switch ports. One is the membrane buttons on the front and the other way is with Hot-key commands.
2. **What operating systems do the KVMs support?**

The KVMs support multi-platform support allows you to control Windows-based computers, Sun Solaris systems, Linux, or even Macs by a single KVM switch. The KVM switches support multi-platform operating systems including but not limited to DOS, Windows 95/98/ME/NT/2000/XP, Linux, Solaris and Mac OS.
3. **Do I have to power down the KVMs to add a new server ?**

The KVMs are hot-pluggable and allows servers or devices to be added or removed without powering down the switch, but components of connected devices, such as the servers, may not be hot-pluggable. We suggest that turn off power to all devices before connecting them.
4. **Why I can't login with default password on KVM switch**

The default username and password for the KVM switch is eight zeros - "00000000". Please check

 - i. The "Num lock" is not turned on. (for notebook type keyboard)
 - ii. The numeric (number) keys on the number pad are not accepted by KVM, only the main number keys.
5. **Can I disable the KVM password ?**

Yes, for Cat5 KVM, USB KVM, two console PS/2 KVM & IP PS/2 KVM, user can disable/ enable the KVM password by hotkey.
No, for PS/2 KVM, user can't disable the KVM password.
6. **What do I do if I forget the password?**

If the user change the default password and lose the password, pls contact the supplier for further support.
7. **How many levels of KVM cascade are supported?**

8 levels are supported.
8. **Can I cascade the different types KVM switches together ?**

No, only same type KVM can cascade together. (e.g. PS/2 to PS/2, USB to USB,..)
9. **Why am I getting ghosting images or shadowing?**
 - i. Check that all video cables are inserted properly.
 - ii. Check whether the KVM supports the resolution and refresh-rate on your servers.
 - iii. Check whether the graphics card you are using supports the resolution and refreshrate on your server or not.
 - iv. Connect the monitor directly into the servers you are having trouble with to see if problem still appears.

10. The server VGA resolution does not match the resolution of monitor ?

The KVM supports DDC function which will dynamically detect and the DDC data.

The problem may come from the power on sequence.

- For KVM switch
The recommended power on sequence is - monitor, KVM switch and then servers.
- For remote console box
It supports DDC function but does not support hot-plug, the recommend power on sequence is – monitor, remote console box and then servers.

PS/2 KVM**Can I connect to Suns (USB type) and/or Macs system to PS/2 KVM switches ?**

Yes. Use PS/2 to USB converter (SUN-31 kit) to converter the keyboard & mouse of PS/2 KVM cable (CD-6) to USB interface. The SUN-31 kit includes the built-in mapping of all the Suns & Macs system hotkey.

USB KVM**Can the USB KVM support the keyboard or monitor with a USB hub built-in ?**

The USB KVM switch is only capable of passing Keyboard, Mouse and Video signals. As a result, other USB devices with a USB hub will not work.

Can I use the touch screen with KVM switches ?

No, the KVM switches do not support the touch screen driver

Two console KVM**What is the resolution support on remote console ?**

The remote console can support up to 1,000 feet at 1024 x 768, and up to 500 feet at 1600 x 1200.

Why am I getting ghosting images or shadowing on remote console ?

Press “Scroll lock + Scroll lock + A” on the keyboard connected to remote console box to force auto-adjusting the video signal to optimize.

Cat5 KVM**Can I use standard Cat5 cable for Cat5 dongle ?**

The Cat5 dongle can support Cat5/5e straight cable. To maximum performance and stability, we strongly recommend applying the Cat5e cable (CU-3 / 6 / 10 / 15 / 33 / 66) from us, we are designed and qualification tested using pre-made (factory made) Cat5e cable assemblies in fixed lengths. Using this type of cable assembly will provide excellent link connections and data communication. As poorly made field cable assemblies can cause damage to the Cat5 KVMs & dongles and result in a poor or intermittent link. The warranties do not apply to damage resulting from user-supplied cable.

1. **There is no LED display on KVM membrane switch**

- i. Make sure the power adapter plugged into the KVM Switch, if the LED's still off, perform soft reset to KVM switch.
- ii. Power cycle KVM switch.

2. **I can power on the KVM, but I am not getting any picture at all, how can I solve this?**

Switching to another port and checking if this port has the same problem

- a. If you switch to another port, please check the screen resolution is the same.
- b. Check the OSD menu is available on the hot keys "Scroll lock + Scroll lock + space bar".
If the problems persist, please make sure the cables are inserted properly and the boot up sequence is followed.

3. **The screen is on but the keyboard and mouse don't work**

- i. Check the server by using a different keyboard and mouse.
- ii. For PS/2 servers
The keyboard and mouse are not hot pluggable.
- iii. For USB servers
Unplug and plug allowing a few seconds for the bus emulation process to complete.
- iv. Do not press any keys on the keyboard whilst the server is booting up. This can cause a keyboard error or cause the keyboard not to detect the KVM switch.
- v. Try a different keyboard, but use only 101/102/104-key keyboard
- vi. Avoid moving the mouse whilst switching the KVM ports.

4. **There is no LED display on the Cat5 dongle**

The LED on the Cat5 dongle will flash when plugged into the USB or USB server. The light will then become steady when the KVM switch has connected. If the LED light is on and not flashing when plugged into server, please unplug the USB or PS/2 and try again. Or try another good Cat5 dongle to verify if problem still appears. If the problem persists, please contact your supplier.

The company reserves the right to modify product specifications without prior notice and assumes no responsibility for any error which may appear in this publication.

All brand names, logo and registered trademarks are properties of their respective owners.

Copyright 2007 Austin Hughes Electronics Ltd. All rights reserved.

CV-14-0707V1